

Compact digital positioner with IO-Link for mounting on pneumatic valves

- IO-Link interface (V1.1.3)
- Direct „top-mounted“ attachment to the valve drive. This means that no parts of the stroke return are accessible from the outside.
- Large stroke range 0.12 - 1.10“, optionally up to 1.97“.
- Reverse hysteresis of up to 0.2% possible, standard 0.4%
- Configuration adjustment through self-adaption
- Configuration and diagnostic functions via IO-Link or via “Device-Config” software
- Low vibration sensitivity
- Protection class IP 65
- Also for rotary actuators
- Low air consumption in the regulated state



Technical data

| | |
|---|--|
| Nominal stroke | 0.12 - 1.10“ (optional up to 1.97“) |
| Ambient temperature | -14 °F up to + 167 °F |
| Control Signal | IO-Link |
| IO-Link Interface | V 1.1.3 |
| IO-Link Porttype | Class A |
| Current | max. 500 mA |
| Supply voltage | 24 V DC (18-30 V) |
| Adjustment of stroke and zero point | self-adjustment |
| configuration | IO-Link or Software „DeviceConfig“ |
| auxiliary energy, pneumatic | max. 87 psi |
| Air flow capacity | 40 NI/min |
| Consumption of auxiliary energy in the controlled state | < 0,06 NI/min |
| Leakage | < 0,01 NI/min |
| Air quality according ISO 8573-1: max. particle size and density: oil content pressure dew point | Class 5 Class 4 Class 3 min. 20 K (36 °F) under ambient temperature |
| Actuation gas | compressed air or non flammable gases (nitrogen, CO ₂ ,...) |
| Mounting to control valve | standardized mounting kits (also with optical position indicator) |
| Pressure supply port | NPT 1/8“ |
| Protection class acc. DIN 40050 | IP 65 |

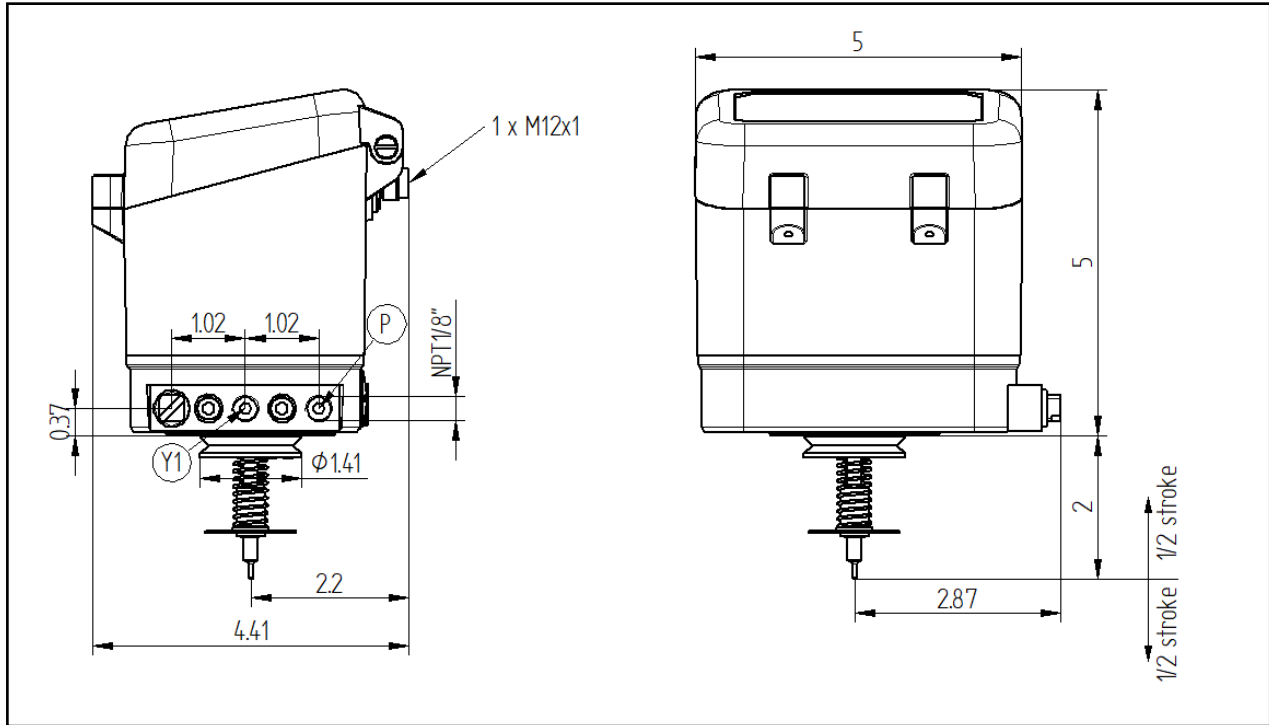
* at 73 psi pilot pressure

Functional description

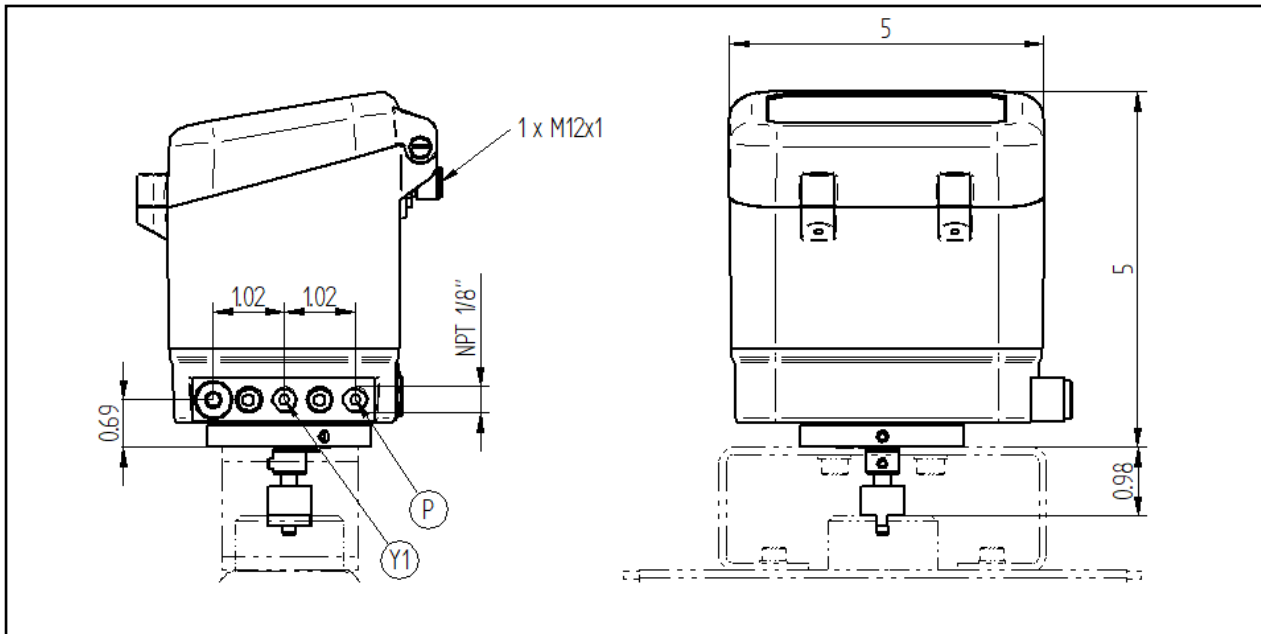
With its integrated IO-Link interface, the 8049-IO1 positioner offers a solution for controlling, parameterizing and diagnosing via its higher-level process control system. Based on the proven 8049-4 positioner (version 6), IO-Link is not only used to specify the setpoint, but also to set the positioners parameters, e.g. positioner hysteresis, tight shut-off function etc., and read out diagnostic or maintenance data, e.g. number of switching cycles, operating hours, valve travel, etc. The maximum data rate is 230.4 kBit/s, the cycle time is exceptionally fast at 1.1 ms. In addition, the configuration of the 8049-IO1 is still possible by means of the PC software „DeviceConfig“.

Dimensions

For linear actuators



For quarter turn actuators



Text and pictures are not binding. We reserve the right, to alter the equipment.