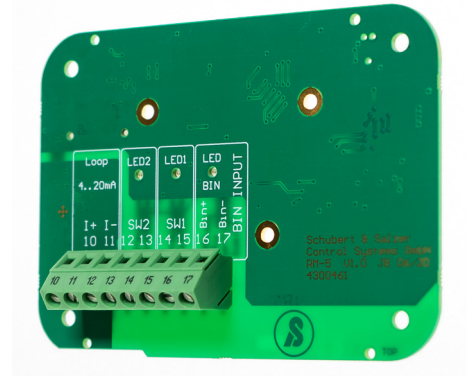


Supplementary module for digital positioner Type 8049-4 from version V6

- Feedback 4-20 mA
- 2 limit signal transmitters

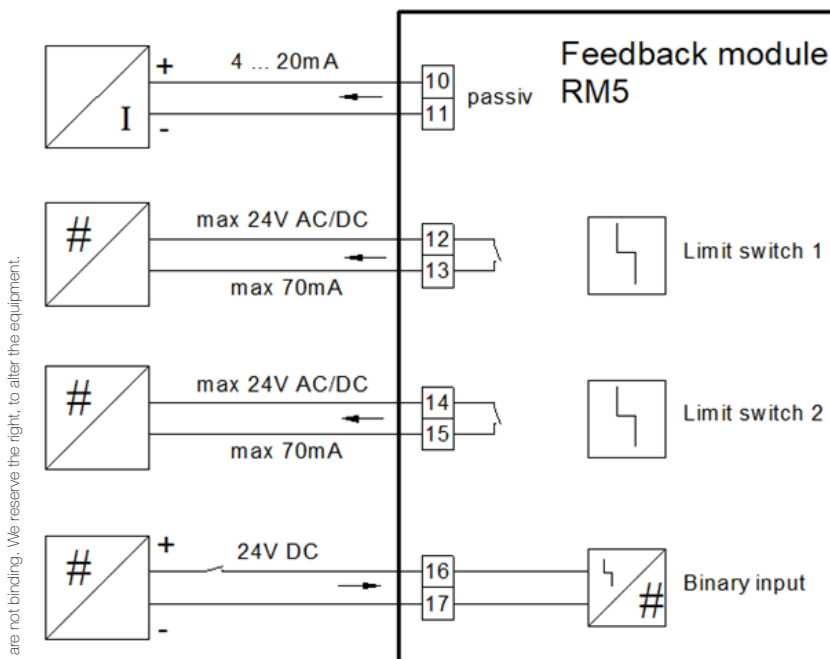
- Feedback on current valve position
- Feedback signal does not require calibration
- Feedback by 2 conductors
- 2 electrically isolated limit signal transmitters
- Limit signal transmitters freely adjustable (0-100%)
- Binary input 24V
- Easy to retrofit



Technical Information

Supply voltage	24V DC ($\pm 10\%$)
Output signal	4 - 20 mA
Max. adm. working resistance	500 Ohm
Temperature range	-10 ... +75°C
Limit signal transmitters	2 pieces
Switching range	adjustable 0-100%
Switching capacity of the limit sign.trans.	24V AC/DC , 70mA
Switching hysteresis	ca. 2,5%
Signal admissible deviation Actual value/setpoint	$\pm 2\%$
Switching threshold binary input	$\sim 12V$

Electrical connection



Text and pictures are not-binding. We reserve the right, to alter the equipment.