

# Right Angle Seat Motor Valve 7250

## 1/2" up to 2"



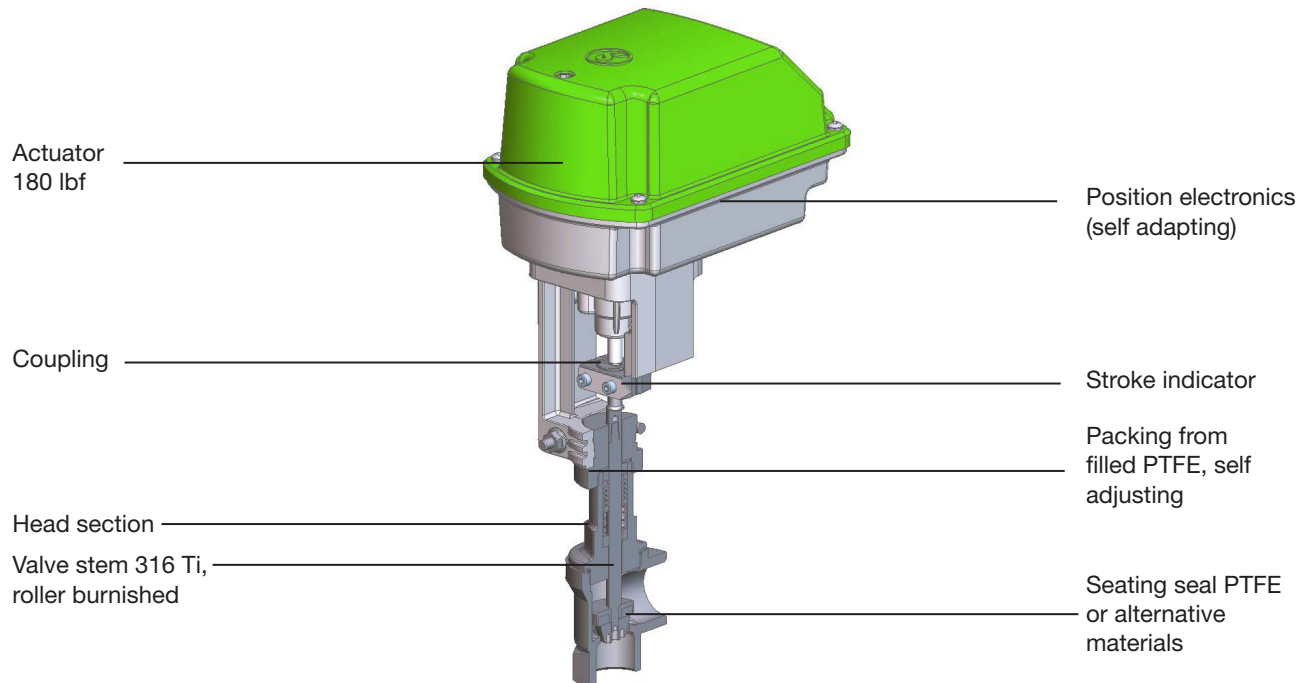
**Motor valve for on/off- and modulating operation for neutral and aggressive media.**

- Compact design
- Self adaption
- Unaffected by lightly contaminated media
- For temperatures from -148°F up to +428°F
- Working pressure up to 580 psi
- Versatile actuator options
- Actuators with control function also available with safety position



### Technical Information Valve

Body materials	Stainless steel CF8M
Nominal sizes	1/2" up to 2"
Connections:	
Pipe threads acc. ISO 228-1	1/2" - 2"
NPT thread	1/2" - 2"
Nominal pressure	580 psi
Media temperature	-22°F up to +392°F, opt. -148°F up to +428°F
ambient temperature	+14°F up to +140°F
Viscosity	max. 600 mm <sup>2</sup> /s (600 cSt)
Vacuum	max. 0,0295 mercury (Hg)
Operating pressure packing underneath	max. 175 psi



## Technical Information CA-Actuator

Function	Control				On/Off	
Motor type	CA24C	CA260C	CA24C-R	CA260C-R	CA24	CA260
Mains connection	24V AC/DC	90-260V AC	24V AC/DC	90-260V AC	24V AC/DC	90-260V AC
Set point range	(0)2-10V / (0)4-20mA				(2)3-term	
Feedback	(0)2-10V / (0)4-20mA				optional	
Limit switch	2				optional	
Max. switching capacity	24V AC/DC 200 mA				250V AC/DC 1A	
Actuating speed	38.1 / 50.8 / 76.2 s/inch (Standard: 50.8 s/inch)				50.8 or 76.2 s/inch (Standard: 76.2 s/inch)	
Safety functions	Monitoring of tensile force, set point, temperature of the electronics, etc.				Tensile force monitoring	
Diagnostic functions	Storage of motor and total operating time, temperature and directional classes, etc.				-	
Fail Safe position	-	-	freely adjustable		-	
Load	500 Ω for current set point / 95 kΩ for voltage set point				-	
Max. input	13 W	12 W	13 W	12 W	13 W	12 W
Input heating resistor	10 W					
Starting current	6 A	2,5 A	6 A	2,5 A	6 A	2,5 A
Actuating power	800 N					
Protection class (EN 60529)	IP 65					
Adm. Ambient temperature	14°F to +140°F					
Duty cycle	100%					

\*: for control with volt-signal split range adjustments are possible

Wiring diagrams of the actuators can be found in the manual.

## Pressure Capability

Nominal size	Inlet pressure psi											
	DN15		DN20		DN25		DN32		DN40		DN50	
	On/off	Control	On/off	Control	On/off	Control	On/off	Control	On/off	Control	On/off	Control
Stainless steel body	580	230	290	230	175	175	100	100	70	70	40	40

## Cv-Values (Stroke)

Characteristic	linear						equal percentage					
	1/2"	3/4"	1"	1 1/4"	1 1/2"	2"	1/2"	3/4"	1"	1 1/4"	1 1/2"	2"
100 %	6,03 (0,34)	12,18 (0,56)	19,14 (0,60)	29 (0,72)	38,28 (0,72)	46,40 (0,83)	4,76 (0,34)	10,79 (0,56)	13,92 (0,56)	18,56 (0,72)	25,52 (0,72)	-
40 %	2,44 (0,34)	4,87 (0,28)	7,66 (0,40)	11,60 (0,40)	18,56 (0,72)	-	1,97 (0,34)	4,29 (0,28)	5,57 (0,36)	7,42 (0,40)	14,85 (0,48)	-
25 %	1,51 (0,34)	3,02 (0,28)	4,76 (0,40)	-	-	-	1,16 (0,34)	2,67 (0,28)	3,48 (0,36)	-	-	-

On-Off	6,38 (0,34)	12,18 (0,56)	19,72 (0,60)	29 (0,72)	40,60 (0,72)	52,20 (0,83)
--------	----------------	-----------------	-----------------	--------------	-----------------	-----------------

# Right Angle Seat Motor Valve 7250



## Ordering Number System

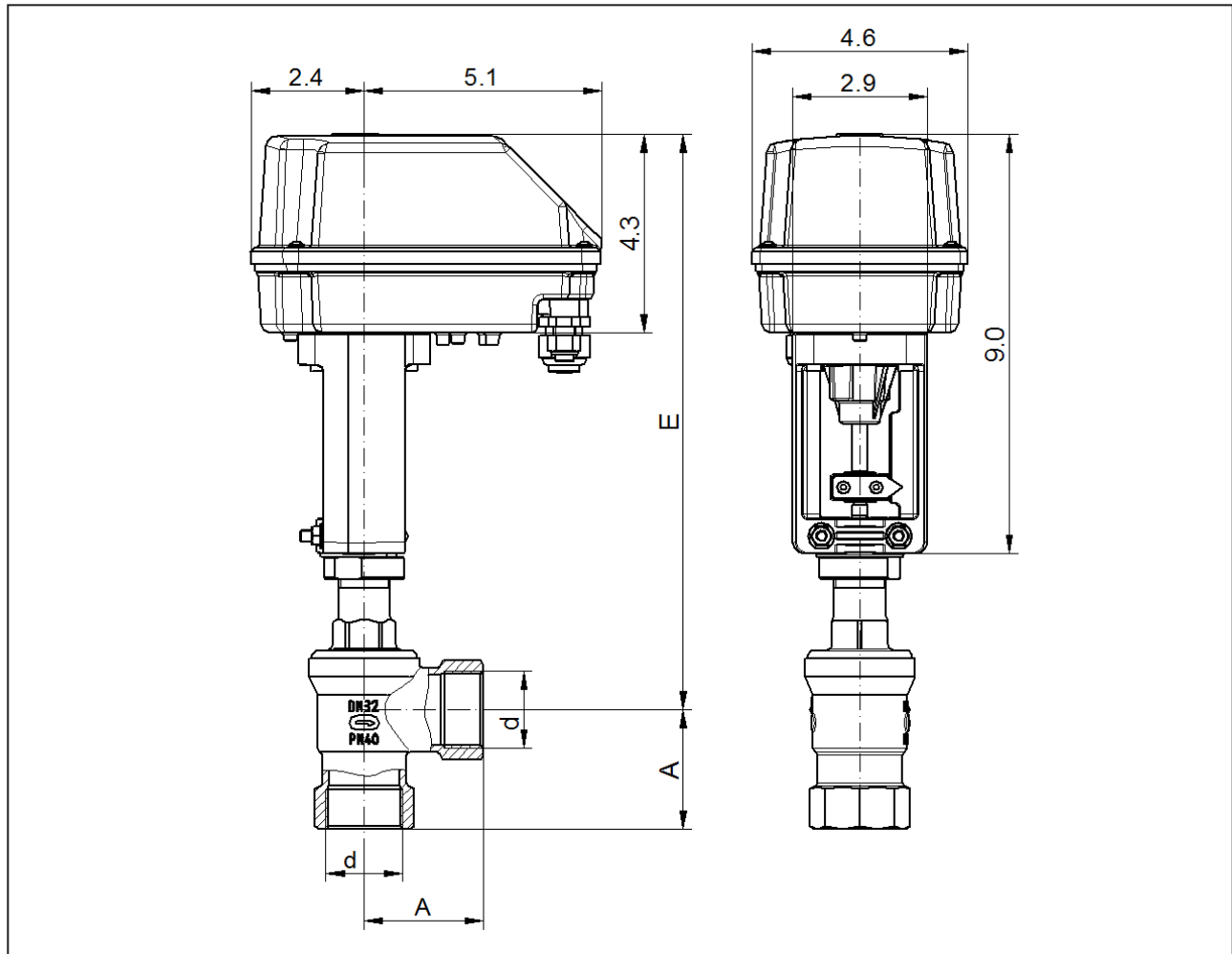
		Article number									
		7250/		K						S	
Nominal size:											
1/4" (DN 15)		015									
3/4" (DN 20)		020									
1" (DN 25)		025									
1 1/4" (DN 32)		032									
1 1/2" (DN 40)		040									
2" (DN 50)		050									
Item:											
Valve		V									
Upper part		U									
Actuator		A									
Body design:											
Right angled body valve				7							
Connection:											
Whitworth-thread						0					
NPT thread						5					
without thread						6					
Body material:											
Stainless steel							2				
Seating seal:											
PTFE								0			
FKM (Viton)								1			
EPDM								2			
NBR								3			
Actuator:											
Control actuator CA24C, 24V AC/DC, with position electronic, stanard adjustment: control signal 4-20mA, feedback 4-20mA, 2 limit switch										C	
Control Actuator CA260C, 100-240V, 50/60Hz, with position electronic, Standard adjustment 4-20mA, feedback 4-20mA, 2 limit switch										D	
On-Of (3-point) actuator CA24, 24V AC/DC										E	
On-Off (3-point) actuator CA260, 100-240V, 50/60Hz										F	
Control plug:											
none											-
linear 100%											1
equal percentage 100%											2
linear 40%											3
equal percentage 40%											4
linear 25%											5
equal percentage 25%											6
Safety position:											
without safety position											-
spring to close											0
spring to open											1
Stroking times											
Standard (51 s/inch for control actuators - 76 s/inch for on-off-actuators)											-
76 s/inch											4
38 s/inch											5

Ordering example:

7250/025VK702021

Right angled seat compact motor valve type 7250, 1", pipe thread acc. ISO 228-1, stainless steel body, seating seal PTFE, control actuator BM24C/1, 24V AC/DC, 180 lbf, control electronics 4-20 mA, position feedback 2-10V, linear characteristic, Cv-value 16.2 (100 %).

## Dimensions and Weights for CA-actuators



Size d	A	E	Stroke	Weight lbs
1/2"	1.6	11.2	0.35	5.3
3/4"	1.6	11.2	0.55	5.9
1"	1.6	11.75	0.7	6.2
1 1/4"	2.55	11.75	0.85	7.5
1 1/2"	2.55	11.9	0.85	7.9
2"	2.55	12.55	0.85	9.2

Dimensions in mm