

Angle Seat Motor Valve with Flanges, compact 7231

1/2" up to 3"



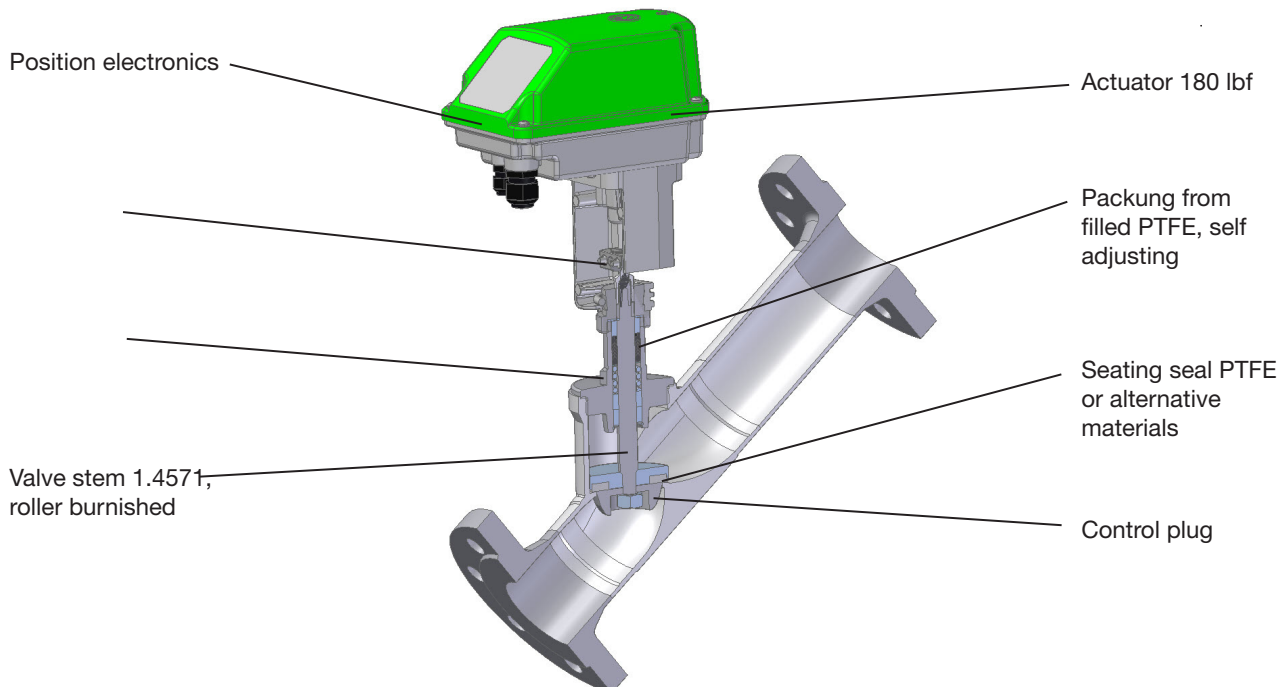
Motor valve for on/off- and modulating operation for neutral and aggressive media.

- Compact design
- Self calibration
- Unaffected by lightly contaminated media
- For operating temperatures from -22 °F up to +392 °F
- Working pressure up to 580 psi
- Versatile actuator options
- Actuators with control function also available with safety position



Technical Information Valve

body material	Stainless steel 1.4408
Nominal size	1/2" up to 3"
Connections	ANSI #150, ANSI #300
Nominal pressure	PN 40 / ANSI #150 / ANSI #300
Media temperature	-22 °F up to 392 °F
ambient temperature	+14°F up to +140°F
Viscosity	max. 600 mm ² /s (600 cSt)
Vacuum	maximum 0.0295 mercury (Hg)
Operating pressure packing underneath	max. 175 psi
Body dimension	L acc. DIN EN 558-92 (old: DIN 3202-F3)



Angle Seat Motor Valve with Flanges compact 7231

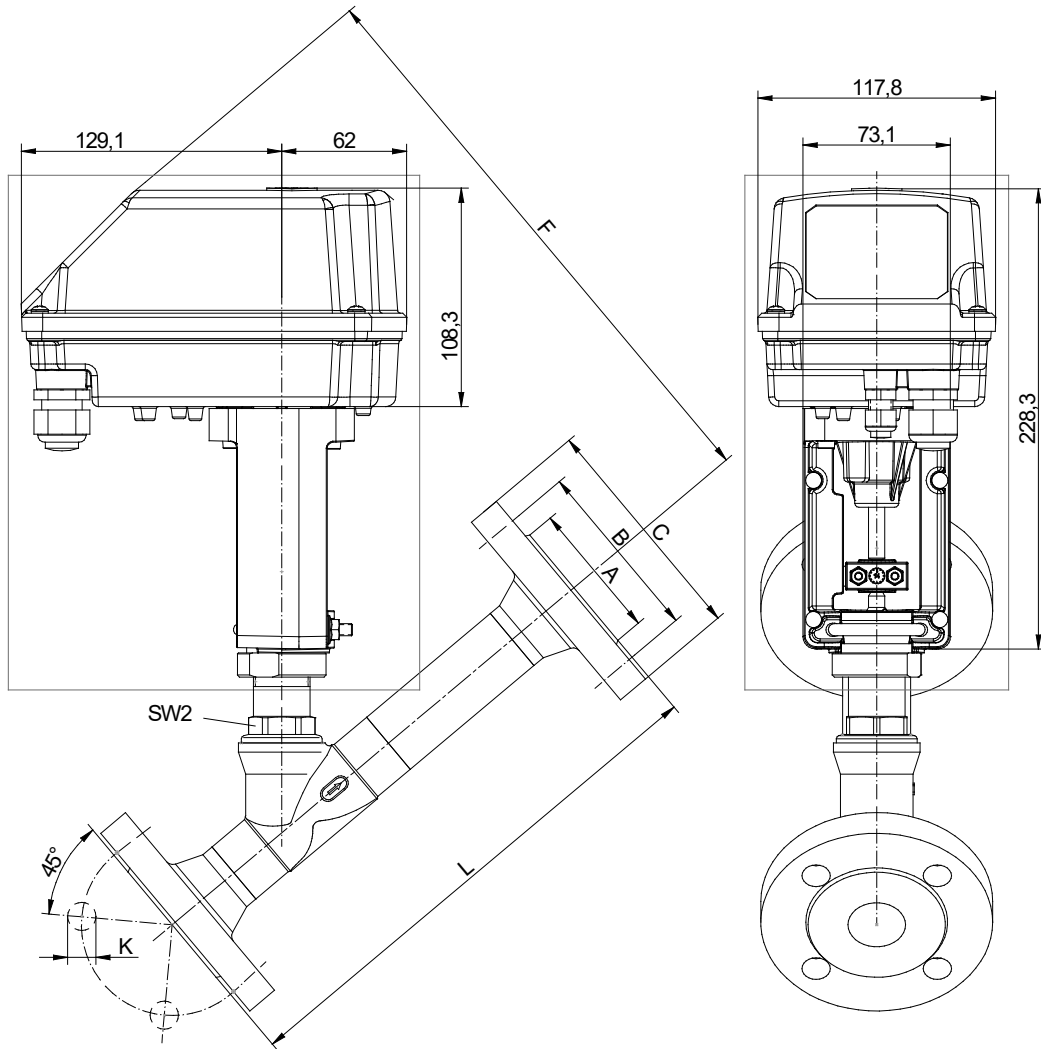


Ordering Number System

Article number													
7231													
Nominal size:													
1/2" (DN 15)	015												
3/4" (DN 20)	020												
1" (DN 25)	025												
1 1/4" (DN 32)	032												
1 1/2" (DN 40)	040												
2" (DN 50)	050												
2 1/2" (DN 65)	065												
3" (DN 80)	080												
Item:													
Valve	V												
Valve without actuator	U												
Actuator	A												
seal kit	R												
head piece (head section cpl. without motor)	K												
valve upper part (head section cpl. with motor)	H												
Motor actuator design:													
compact actuator		K											
Design:													
flange bodied valve			2										
Connection:													
Angle Seat Flanged Valve acc. DIN EN 1092-1, installation lenght acc. DIN 3202 F3				9									
angle seat flange bodied valve acc. ANSI 150					C								
Body material:													
stainless steel			2										
Seating seal:													
PTFE				0									
Viton				1									
EPDM				2									
BUNA-N				3									
PTFE with 25 % glass fibre				5									
Actuator:													
Control actuator CA24C, 24 V AC/DC, with pos. electronic, stanard adjustm.: control sig. 4-20 mA, feedback 4-20 mA, 2 limit switch					C								
Control Actuator CA260C, 100-240 V 50/60 Hz, with pos. electronic, Standard adjustm. 4-20 mA, feedb. 4-20 mA, 2 limit switch					D								
On-Of (3-point) actuator CA24, 24 V AC/DC					E								
On-Off (3-point) actuator CA260, 100-240 V, 50/60 Hz					F								
Control plug:													
none						-							
linear 100 %						1							
equal percentage 100 %						2							
linear 40 %						3							
equal percentage 40 %						4							
linear 25 %						5							
equal percentage 25 %						6							
control plug 15 % equal percentage						7							
control plug 7.5 % equal percentage (1 GPM)						8							
control plug 10 % linear						9							
Safety versions:													
see following positions							S						
test valve (nonstandard file)							V						
Lower part and console of the actuator KTL-coated							K						
Safety position:													
without safety position								-					
ail-Safe: normally closed at power failure								2					
Fail-Safe: normaly open at power failure								3					
Fail Safe: position acc. customer request								4					
Stroking times:													
Standard (51 s/inch for control actuators - 76 s/inch for on-off-actuators)													-
76 s/inch													4
38 s/inch													5
114 s/inch (On/Off Actuator Type 2032)													L

Angle Seat Motor Valve with Flanges compact 7231

Dimensions and Weights for CA-actuators



DN	PN40					ANSI150					L	F	SW2	F	SW2
	A	B	C	K	N number of bores	A	B	C	K	N number of bores				pressure balanced	
1/2"	1.77	2.56	3.74	0.55	4	1.38	2.38	3.5	0.62	4	9.06	11.14	1.18	-	-
3/4"	2.28	2.95	4.13	0.55	4	1.69	2.75	3.88	0.62	4	10.24	11.3	1.18	-	-
1"	2.68	3.35	4.53	0.55	4	2	3.12	4.25	0.62	4	10.24	11.46	1.18	-	-
1 1/4"	3.07	3.94	5.51	0.71	4	2.5	3.5	4.62	0.62	4	11.81	12.05	1.18	12.76	1.61
1 1/2"	3.46	4.33	5.91	0.71	4	2.88	3.88	5	0.62	4	11.81	12.24	1.18	13.07	1.81
2"	4.02	4.92	6.5	0.71	4	3.62	4.75	6	0.75	4	13.78	12.52	1.26	13.46	2.05
2 1/2"	4.8	5.71	7.28	0.71	8	4.23	5.49	7	0.75	4	15.75	13.39	1.61	14.13	1.42
3"	5.43	6.3	7.87	0.71	8	5	6	7.5	0.75	4	17.72	15.28	1.81	15.28	1.81

dimensions in inch