

3/2 - Way Control Valve 7082

with integrated positioner
1/2" up to 2" 580 psi



Pneumatically operated 3/2-way control valve in stainless steel with integrated positioner for the control of neutral and aggressive media.

- Compact design
- All parts in contact with medium made from stainless steel
- For temperatures from -58°F up to +428°F
- Working pressure up to 235 psi
- No moving parts accessible from the exterior
- Non-contact stroke feedback (inductive sensor)
- Operation independent of position and control pressure
- Insensitive to vibration
- Instrument quality air not required for the feed air
- Flexible selection of characteristics using software



Technical Information

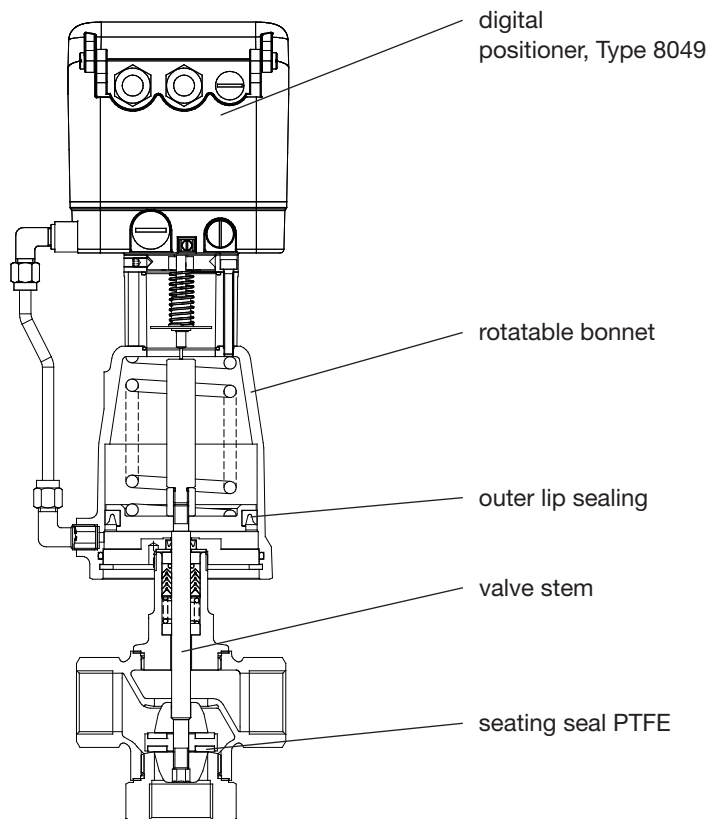
Body material	Stainless steel 1.4408
Nominal sizes	1/2" up to 2"
Connections	NPT thread: 1/2" up to 2"
Nominal pressure	580 psi
Fluid temperature	-22°F up to + 392°F, opt. -58°F up to +428°F
Ambient temperature	digital positioner +14°F up to +167°F analog positioner +5°F up to +140°F

*: Please consider further temperature versions and limits in technical bulletin 32

Materials

Body	Stainless steel CF8M
Seating seal	PTFE
Bonnet	Brass chrome plated (actuator Ø 3") Aluminium (actuator Ø 5")
Diaphragm actuator	stainless steel 1.4301
Actuator springs	Stainless steel ASTM A313 302 (actuator Ø 3", 10") Spring steel wire C, zinc coated (actuator Ø 5")
Packing	PTFE (carbon filled), spring ASTM A313 302
Valve stem	Stainless steel 316 Ti, roller burnished
Position indicator	PA Trogamid (clear)

3/2 - Way Control Valve in stainless steel 7082 with integrated positioner



Cv-Values

Size	Cv - values			
	diverting function		mixing function	
	P-A	P-B	P1-A	P2-A
1/2"	8.7	6.4	6.4	8.7
3/4"	11.6	7.5	7.5	11.6
1"	16.2	11.6	11.6	16.2
1 1/4"	20.9	17.4	17.4	20.9
1 1/2"	52.2	31.3	31.3	52.2
2"	66.1	47.6	47.6	66.1

Positioner

For technical information of our positioners please refer to the corresponding data sheets.

3/2 - Way Control Valve in stainless steel 7082 with integrated positioner

Admissible Pressures

Diverting function

digital positioner Type 8049

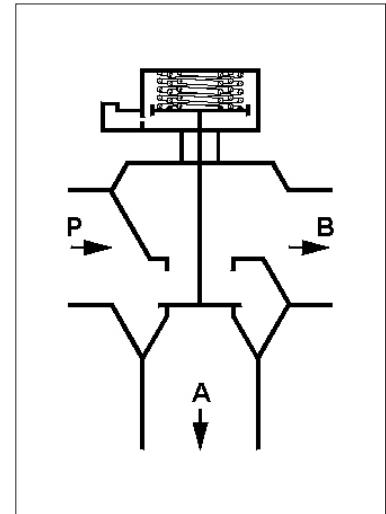
Size	Differential pressure psi	Supply pressure range psi	Piston Ø inch	Springs Number
1/2" / 3/4"	116	75 - 90	3"	2
1"	116	75 - 90	5"	3
1 1/4"	116	75 - 90	5"	3
1 1/2"	58	65 - 90	10"	4
1 1/2"	87	45 - 65	10"	6
2"	44	60 - 70	10"	6

Attention:

The maximum pilot pressure must not be exceeded since otherwise the piston rod would be damaged.

Recommendation:

In order to avoid a damage on the valve because of a too high supply air pressure, we recommend the use of a supply air pressure regulator.



splitting function

Mixing function

digital positioner Type 8049

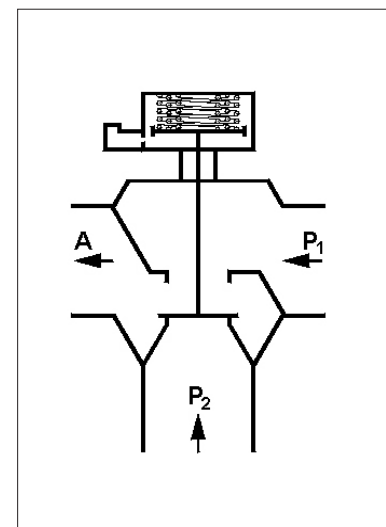
Size	Differential pressure psi	Supply pressure range psi	Piston Ø inch	Springs Number
1/2" / 3/4"	218	75 - 90	3"	1
1/2" / 3/4"	232	45 - 50	5"	2
1"	123	75 - 90	3"	1
1"	232	45 - 50	5"	2
1 1/4"	73	75 - 90	3"	1
1 1/4"	160	50 - 55	5"	2
1 1/2"	160	65 - 90	5"	3
1 1/2"	189	45 - 65	10"	6
2"	87	75 - 90	5"	3
2"	131	60 - 70	10"	8

Attention:

The maximum pilot pressure must not be exceeded since otherwise the piston rod would be damaged.

Recommendation:

In order to avoid a damage on the valve because of a too high supply air pressure, we recommend the use of a supply air pressure regulator.

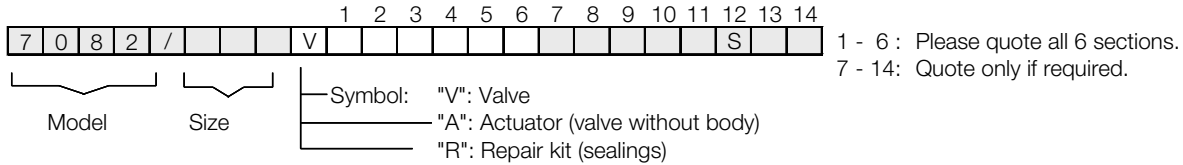


mixing function

3/2 - Way Control Valve in stainless steel 7082 with integrated positioner



Ordering Number System



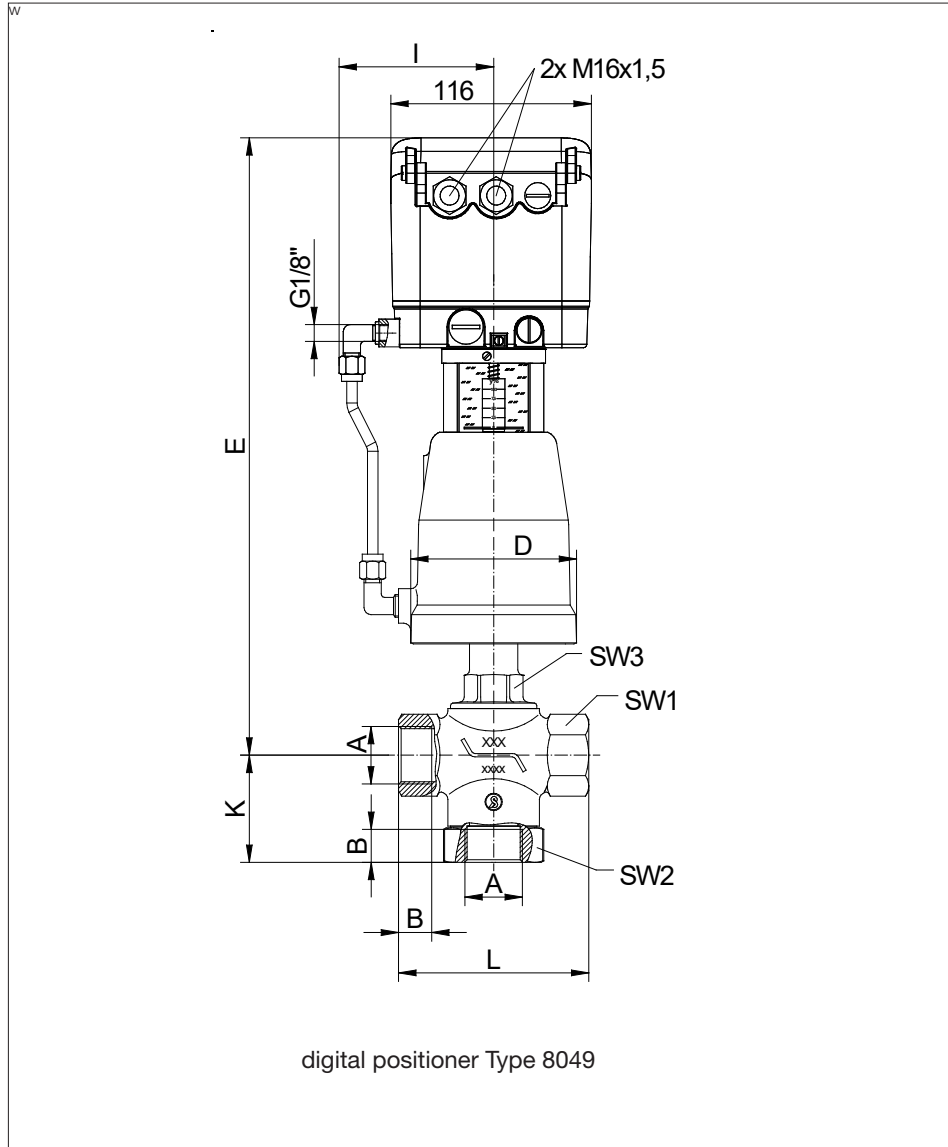
1.	Body type	2.	Connection	3.	Body materials	4.	Seat material	5.	Pilot function	6.	Actuator	7.	Springs
3	3/2-way control valve diverting function	0	Pipe thread acc. ISO 228-1	2	stainless steel CF8M	0	PTFE	C	digital positioner, Type 8049, 4 wire	8	Piston 3" (NPT)	-	Standard
4	3/2-way control valve mixing function	5	NPT thread					R	digital positioner Type 8049, 2 wire	9	Piston 5" (NPT)	R	4 springs (D 10")
								W	digital positioner Type 8049 - ExPro, ATEX, IECEX	D	diaphragm D 10" (NPT)	T	6 springs (D 10")
								K	digital positioner Type 8049 ExPro-FM			W	8 springs (D 10")
								N	digital positioner Type 8049 IO-Link version				
								K	„digital positioner type 8049 ExPro-FM with base plate in stainless steel; Ta = +14°F to +167°F; IS Class I Division 1, Groups A, B, C, D; T4 Entity; Class I Zone 0 AEx ia IIC T4 Entity, IP65“				
								Y	„digital positioner type 8049 ExPro-FM with base plate in stainless steel; Ta = +14°F to +167°F; NI Class I Division 2, Groups A, B, C, D; T4 NIFW, IP65“				
8.	Characteristic	9.	Packing	10.	Cv-value	11.	Accessories	12.	Special versions	13.	Seal	14.	Position indicator
-	Linear	-	Standard	-	full Cv-value	-	without	S	To state if some stations are quoted!	-	Standard	5	metal tie-on label with type label and protection film
		2	Packing underneath (vacuum)										

Ordering Example: 7082/020V4520C8
 3/2-way control valve in stainless steel, 3/4", NPT-thread, seat material PTFE, digital positioner Type 8049, 4 wire, actuator 3" NPT, linear flow characteristic, Kvs 100 %

3/2 - Way Control Valve in stainless steel 7082 with integrated positioner



Dimensions and Weights



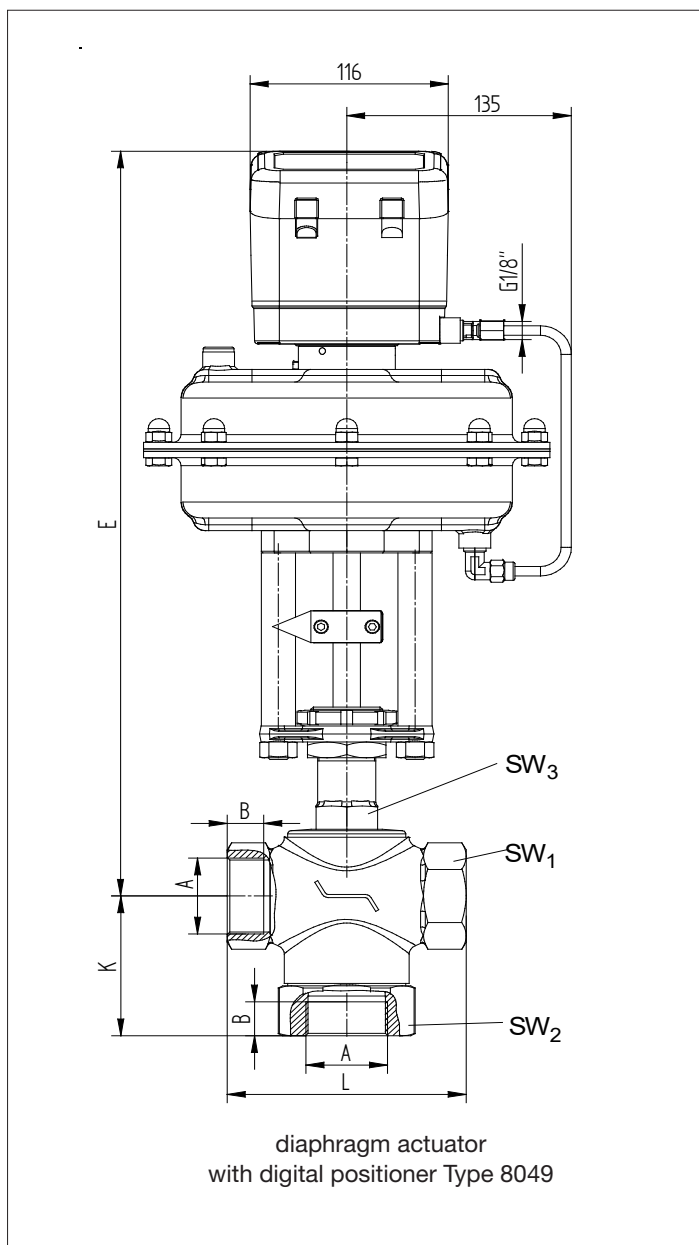
Size	Actuator	A NPT	B	B NPT	D	K	L	I Type 8049	E Type 8049	Stroke	SW1	SW2	SW3	Weight (lbs) Type 8049
1/2"	3"	1/2"	0.59	0.57	3.78	2.44	3.54	3.54	13.62	0.55	1.02	1.61	1.18	10.3
1/2"	5"	1/2"	0.59	0.57	5.75	2.44	3.54	4.13	14.41	0.55	1.02	1.61	1.18	14.5
3/4"	3"	3/4"	0.64	0.59	3.78	2.44	3.54	3.54	13.62	0.55	1.26	1.61	1.18	10.3
3/4"	5"	3/4"	0.64	0.59	5.75	2.44	3.54	4.13	14.41	0.55	1.26	1.61	1.18	14.5
1"	3"	1"	0.75	0.71	3.78	2.48	4.33	3.54	14.09	0.55	1.61	2.17	1.18	11.2
1"	5"	1"	0.75	0.71	5.75	2.48	4.33	4.13	14.88	0.55	1.61	2.17	1.18	15.4
1 1/4"	3"	1 1/4"	0.84	0.72	3.78	2.91	5.12	3.54	14.25	0.59	1.89	2.56	1.18	12.5
1 1/4"	5"	1 1/4"	0.84	0.72	5.75	2.91	5.12	4.13	15.04	0.59	1.89	2.56	1.18	16.7
1 1/2"	5"	1 1/2"	0.84	0.72	5.75	3.46	5.51	4.13	15.63	0.91	2.28	2.95	1.26	18.7
2"	5"	2"	1.01	0.75	5.75	3.74	7.09	4.13	16.14	0.91	3.35	3.54	1.42	25.7

Dimensions in inch

3/2 - Way Control Valve in stainless steel 7082 with integrated positioner



Dimensions and Weights



Size	Actuator	A NPT	B	B NPT	D	K	L	E	Stroke	SW1	SW2	SW3	Weight (lbs)
1 1/2"	10"	1 1/2"	0.84	0.72	9.45	3.46	5.51	18.5	0.91	2.28	2.95	1.26	30.8
2"	10"	2"	1.01	0.75	9.45	3.74	7.09	18.9	0.91	3.35	3.54	1.42	37.8

Dimensions in inch

Text and pictures are not binding. We reserve the right to alter the equipment.