

3/2 - Way Valve 7080



with metal actuator 1/2" up to 1 1/2"

Pneumatically operated 3/2-way valve for the control of neutral and slightly aggressive media.

(Stainless steel version, data sheet Type 7081)

- Compact design
- Unaffected by lightly contaminated media
- For temperatures from -40°F up to +392°F
- Working pressure up to 235 psi

Technical Information

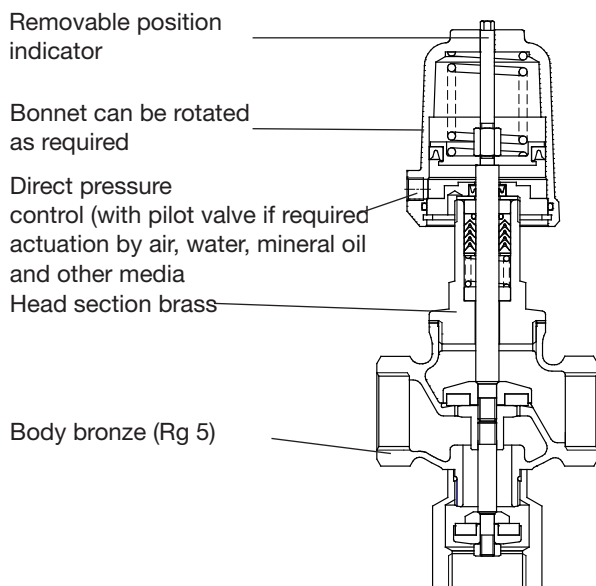
Body material	Bronze
Nominal sizes	1/2" - 1 1/2"
Connections	NPT thread
Nominal pressure	235 psi
Max. fluid temperature:	
with metal bonnet	-22°F to +338°F, opt. -40°F up to +392°F
with plastic bonnet	-22°F to +275°F
Ambient temperature*	+5°F up to +140°F (special versions from -40°F up to +212°F)
Viscosity of the media	maximum 600cSt, 80°E (600 mm ² /s)
Leakage acc. EN 12266-1	leakage class A
*: Please consider further temperature versions and limits in technical bulletin 32	



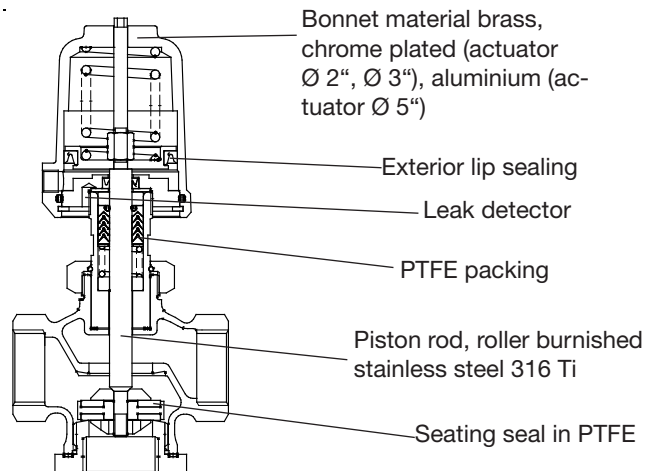
Options

- limit switches
 - inductive proximity switches
 - mechanical limit switches
- solenoid valves
- manual override
- O2-cleaned version

normal function, normally closed

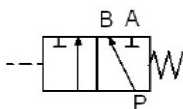


diverting and mixing function shut - off function

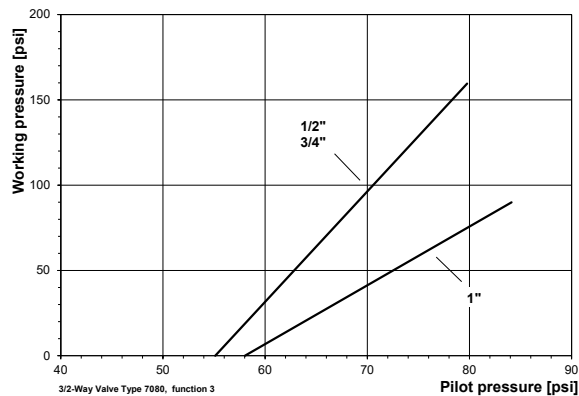


3/2 - Way Valve 7080

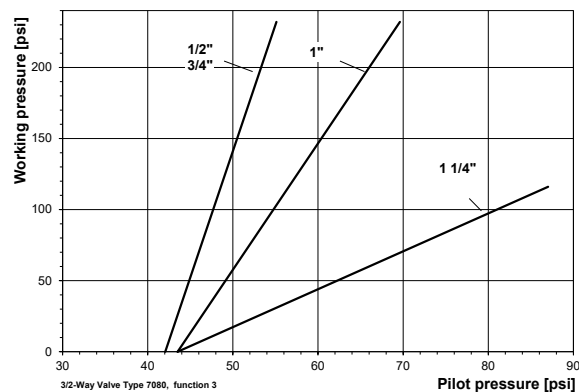
3/2-way valve, diverting function (3)



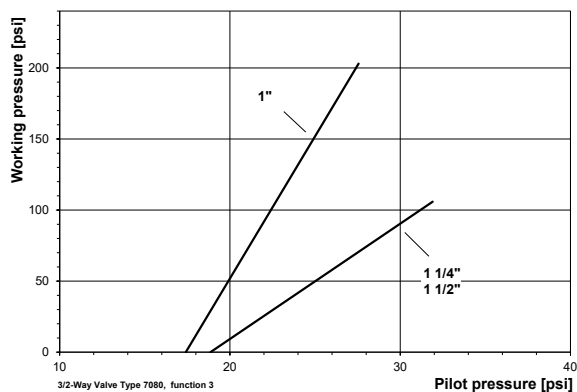
Actuator diameter 2"



Actuator diameter 3"



Actuator diameter 5"



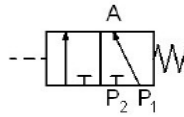
max. adm. pilot pressure

Nominal size	Actuator Ø	Springs	max. Pilot pressure (psi)
1/2" + 3/4"	2"	1	130
1/2" + 3/4"	3"	1	100
1"	2"	1	130
1"	3"	1	100
1"	5"	1	40
1 1/4" + 1 1/2"	3"	1	100
1 1/4" + 1 1/2"	5"	1	45

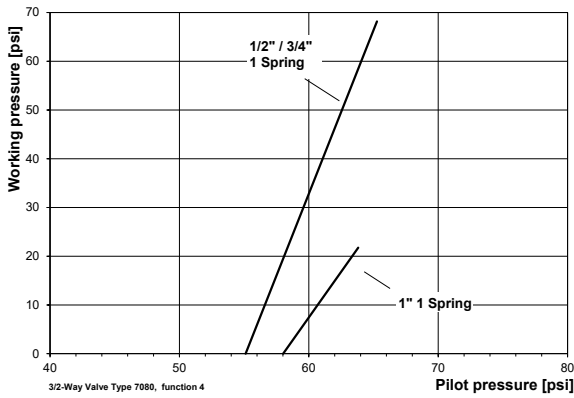
3/2 - Way Valve 7080



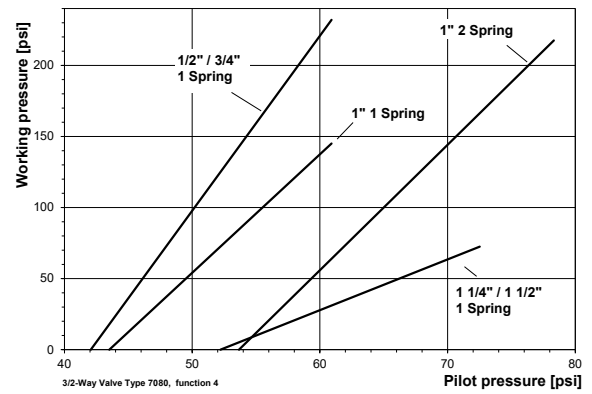
3/2-way valve, mixing function (4)



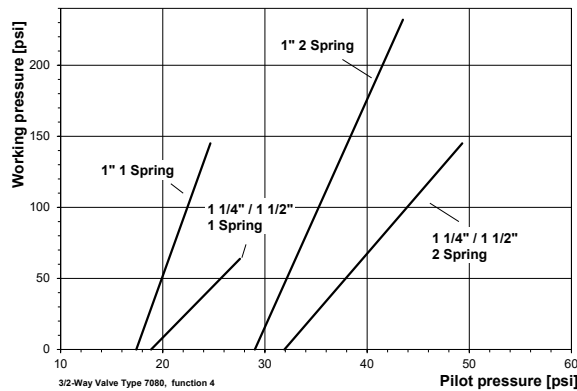
Actuator diameter 2"



Actuator diameter 3"



Actuator diameter 5"



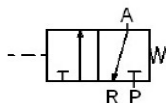
max. adm. pilot pressure

Nominal size	Actuator Ø	Springs *	max. Pilot pressure (psi)
1/2" + 3/4"	2"	1	140
1/2" + 3/4"	3"	1	105
1"	2"	1	140
1"	3"	1	105
1"	3"	2	115
1"	5"	1	40
1"	5"	2	50
1 1/4" + 1 1/2"	3"	1	110
1 1/4" + 1 1/2"	5"	1	45
1 1/4" + 1 1/2"	5"	2	55

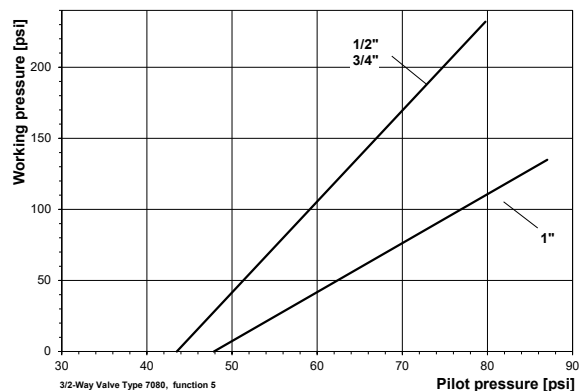
* standard spring configuration
1 spring

3/2 - Way Valve 7080

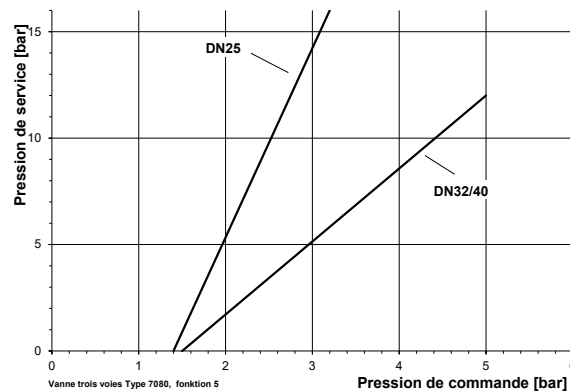
3/2-way valve, normally closed (5)



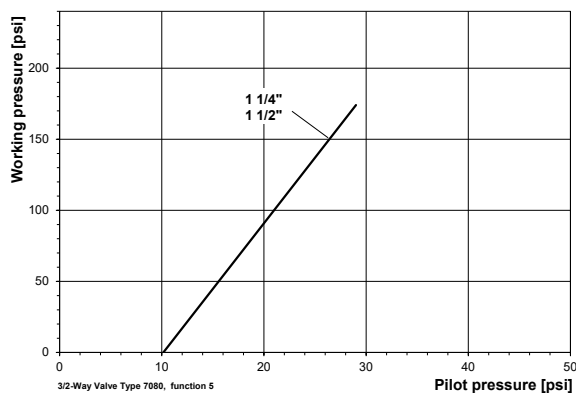
Actuator diameter 2"



Actuator diameter 3"



Actuator diameter 3"

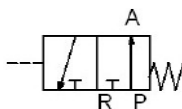


max. adm. pilot pressure

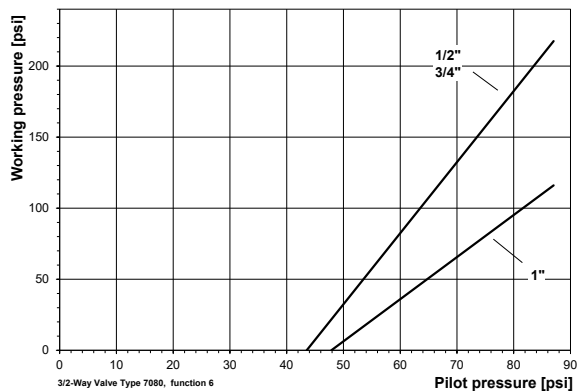
Nominal size	Actuator Ø	max. Pilot pressure (psi)
1/2" + 3/4"	2"	130
1"	2"	130
1"	3"	75
1 1/4" + 1 1/2"	3"	75
1 1/4" + 1 1/2"	5"	30

3/2 - Way Valve 7080

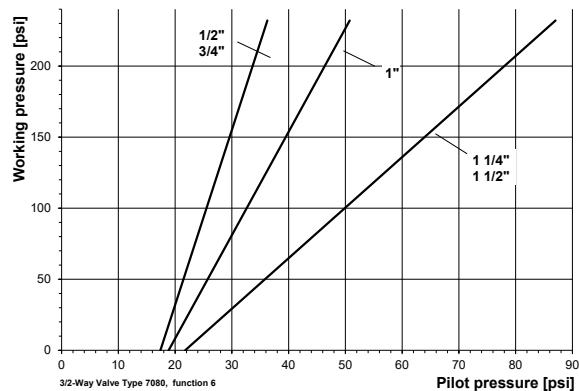
3/2-way valve, normally open (6)



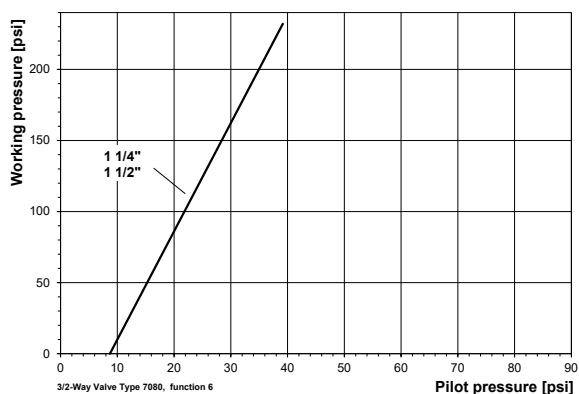
Actuator diameter 2"



Actuator diameter 3"



Actuator diameter 3"



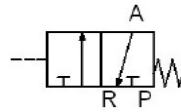
max. adm. pilot pressure

Nominal size	Actuator Ø	max. Pilot pressure (psi)
1/2" + 3/4"	2"	130
1/2" + 3/4"	3"	75
1"	2"	130
1"	3"	95
1"	5"	40
1 1/4" + 1 1/2"	5"	55

3/2 - Way Valve 7080



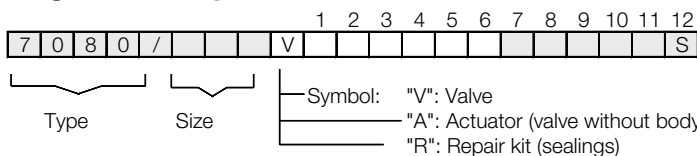
3/2-way valve, shut - off function (7)



Nominal Size	Diff. Pressure max. (psi)	Pilot pressure (psi)	Actuator Ø inch	Springs *
1/2" / 3/4"	65	55 - 140	2"	1
1/2" / 3/4"	130	70 - 145	2"	2
1"	50	71 - 145	2"	2
1/2" / 3/4"	230	45 - 105	3"	1
1"	145	46 - 105	3"	1
1"	230	65 - 125	3"	3
1 1/4" / 1 1/2"	100	65 - 120	3"	2
1 1/4" / 1 1/2"	130	80 - 135	3"	3
1 1/4" / 1 1/2"	60	22 - 43	5"	1
1 1/4" / 1 1/2"	145	35 - 56	5"	2
1 1/4" / 1 1/2"	205	45 - 65	5"	3

* standard

Ordering Number System



1 - 6 : Please quote all 6 sections.
 7 - 12: Quote only if required.

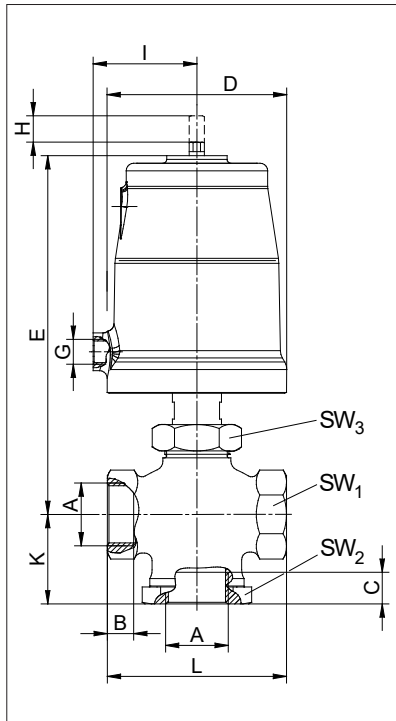
1. Body type	2. Connection	3. Body material	4. Seating seal	5. Pilot function	6. Actuator
3 3/2-way, diverting function	5 NPT-thread	1 bronze	0 PTFE	0 spring closes (function 3/4/7 only) 1 spring opens (function 6 only)	7 piston 2" (NPT) 8 piston 3" (NPT)
4 3/2-way, mixing function				3 double acting	9 piston 5" (NPT)
6 3/2-way, spring opens					
7 3/2-way, shut-off function, NC					
7. Springs	8.	9. Packing	10. Temperature version	11. Accessories	12. Special versions
- standard 1 1 spring 2 2 springs 3 3 springs	- without significance	- standard 2 inverted, vacuum	- standard H high temperature version V viton exterior lip sealing	- no accessories 1 electrical position indicator with one switch 2 electrical position indicator with two switches 3 manual emergency operation 4 aAdditional manual operation 5 stroke limitation 6 pilot valve DN 2, 230 V AC 7 pilot valve DN 2, 24 V DC K electr. position indicator compact M position indicator with two ind. switch 10 - 36 V DC (PNP) P position indicator with one ind. switch 10 - 36 V DC (PNP) T position indicator compact, inductive 10 - 30 V DC (PNP)	S special versions

Ordering example:

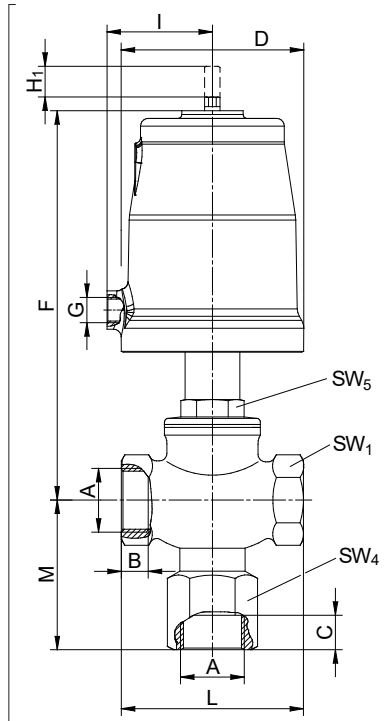
7080/025V350011- - - - 7:

3/2-way valve 1", normal function, NPT thread, body material bronze, PTFE seat material, diverting function, actuator 3", pilot valve 24 V DC.

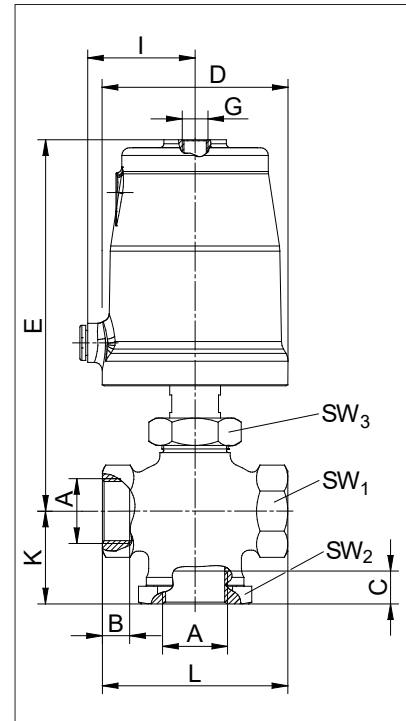
Dimension and Weights



diverting and mixing function
shut-off function (7)



normal function, normally closed

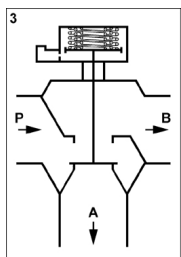


normal function, normally open

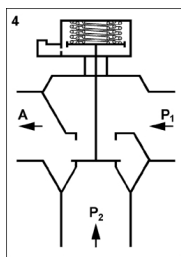
Size	piston	A	B	C	C NPT	D	E	F	G	H stroke	H1 stroke	I	K	L	M	SW1	SW2	SW3	SW4	SW5	Cv value	Weight lbs
1/2"	2"	1/2"	0,5	0,5	0,6	2,45	6	5,8	G 1/8"	0,35	0,2	1,35	1,55	3,15	2,7	1,3	1,6	1,6	1,4	1,2	6,1	3,3
1/2"	3"	1/2"	0,5	0,5	0,6	3,85	7,5	7,3	G 1/4"	0,35	0,2	2,15	1,55	3,15	2,7	1,3	1,6	1,6	1,4	1,2	6,1	6,8
3/4"	2"	3/4"	0,5	0,65	0,6	2,45	6	5,8	G 1/8"	0,35	0,2	1,35	1,65	3,15	2,7	1,3	1,6	1,6	1,4	1,2	8,5	3,3
3/4"	3"	3/4"	0,5	0,65	0,6	3,85	7,5	7,3	G 1/4"	0,35	0,2	2,15	1,65	3,15	2,7	1,3	1,6	1,6	1,4	1,2	8,5	6,8
1"	2"	1"	0,55	0,65	0,7	2,45	6	6,5	G 1/8"	0,43	0,31	1,35	1,85	3,75	2,85	1,6	2,15	1,6	1,6	1,2	14,3	4,2
1"	3"	1"	0,55	0,65	0,7	3,85	7,5	8,05	G 1/4"	0,43	0,31	2,15	1,85	3,75	2,85	1,6	2,15	1,6	1,6	1,2	14,3	7,7
1"	5"	1"	0,55	0,65	0,7	5,75	8,45	9	G 1/4"	0,43	0,31	3,15	1,85	3,75	2,85	1,6	2,15	1,6	1,6	1,2	14,3	12,3
1 1/4"	3"	1 1/4"	0,7	0,75	0,75	3,85	8,2	8,3	G 1/4"	0,73	0,35	2,15	2,4	5,2	3,65	2,3	2,95	1,6	2,15	1,25	23,2	10,6
1 1/4"	5"	1 1/4"	0,7	0,75	0,75	5,75	9,15	9,25	G 1/4"	0,73	0,35	3,15	2,4	5,2	3,65	2,3	2,95	1,6	2,15	1,25	23,2	14,7
1 1/2"	3"	1 1/2"	0,7	0,75	0,75	3,85	8,2	8,3	G 1/4"	0,73	0,35	2,15	2,4	5,2	3,65	2,3	2,95	1,6	2,15	1,25	26,7	10,6
1 1/2"	5"	1 1/2"	0,7	0,75	0,75	5,75	9,15	9,25	G 1/4"	0,73	0,35	3,15	2,4	5,2	3,65	2,3	2,95	1,6	2,15	1,25	26,7	14,7

Dimensions in inches

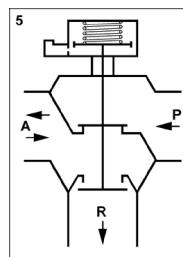
Versions



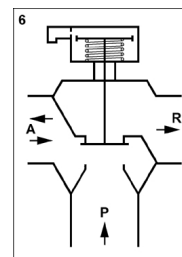
diverting
function



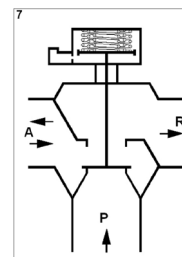
mixing
function



actuator
NC



actuator
NO



shut-off function
NC

Text and pictures are not binding. We reserve the right, to alter the equipment.