

Flanged Valve with bellows 7032

DN 15 up to DN 50 PN16/PN 40

Pneumatically operated flanged valves for the control of neutral, lightly and highly aggressive fluids.

- Bellows in stainless steel
- Unaffected by lightly contaminated media
- For temperatures from -100°C up to +220°C
- Working pressures up to 16 bars
- Also without bellows, only with lengthened head section available (Nominal pressure up to 40 bar)

Technical Information

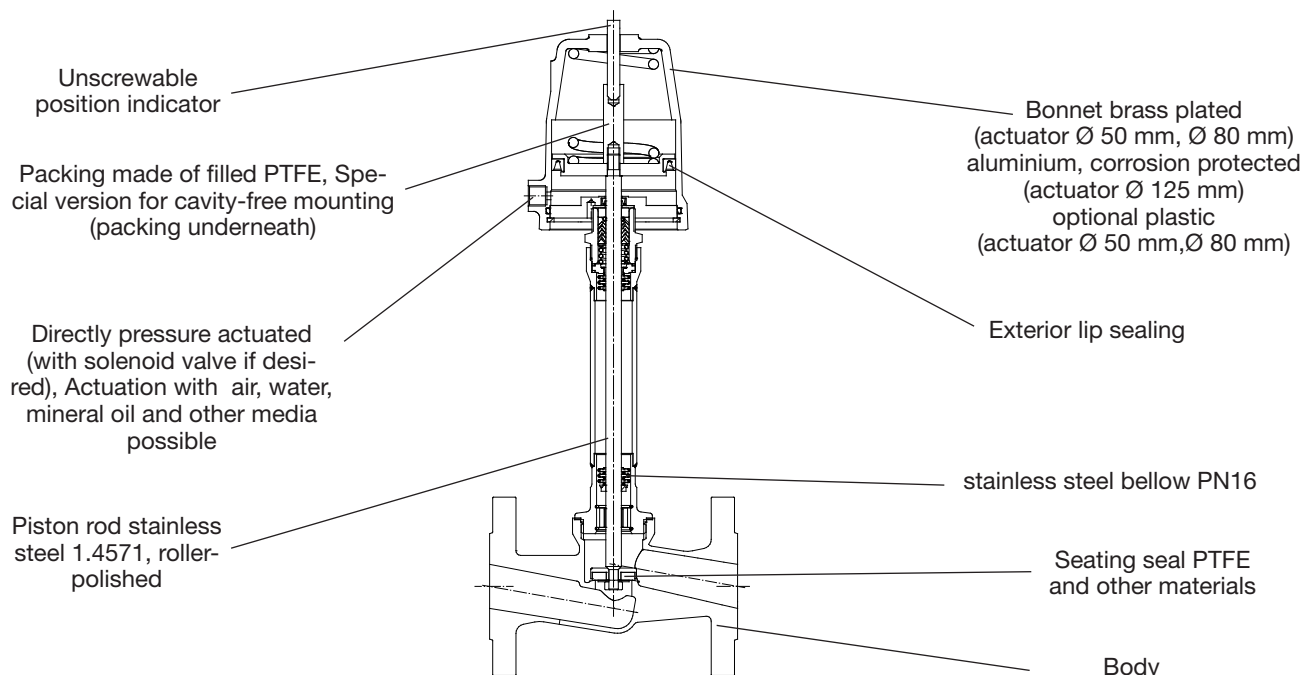
| | |
|-------------------------------|--|
| Nominal sizes | DN 15 up to DN 50 |
| Body material | 1.4408 and 1.4436 |
| Bellows | 1.4571 |
| Connection | Flanges acc. DIN EN 1092-1 |
| Dimensions | Acc. DIN EN 558-1 Row 1 |
| Nominal pressure with bellow | PN 16 |
| without bellow | PN 40 |
| Media temperature with bellow | -100°C up to +200°C, opt. -100°C up to +220°C |
| without bellow | -70°C up to +200°C, opt. -70°C up to +220°C |
| ambient temperature | -30°C up to +60°C |
| Working pressure | See tables and diagramms, limitation for dangerous gases acc. Pressure equipment directive 2014/68/EU (category I): PS x DN < 1000 |
| Viscosity of the fluid | maximum 600 mm ² /s (600cSt, 80°E) |
| Vakuum | maximum 0,001 bar abs |
| Leakage acc. EN 12266-1 | leakage class A |
| Packing leakage | tested according to TA-Luft as defined in DIN EN ISO 15848-1 and VDI 2440 |

*: Please consider further temperature versions and limits in technical bulletin 32



Options

- e.g.:
- Limit switches
 - inductive proximity switch
 - electrical contact switch
 - pneumatical switch
 - Solenoid valve
 - Additional manual operation
 - Oil and grease free version



Stress Reversals

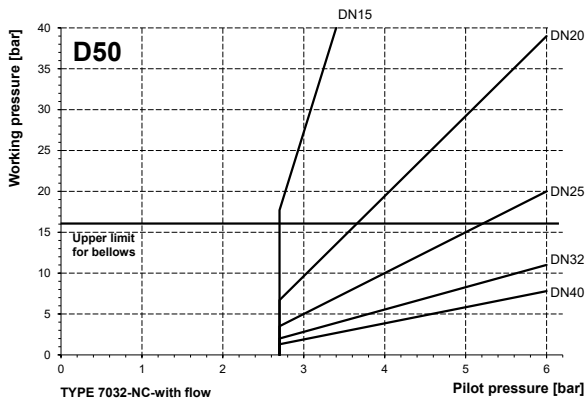
| Valve | | calculated stress reversals at 200°C | | |
|-----------|----------|--------------------------------------|-----------|-----------|
| Nom. Size | Actuator | 16 bar | 10 bar | 1 bar |
| DN 15 | D50 | 1.000.000 | 1.000.000 | 1.000.000 |
| DN 20 | D50 | 360.000 | 900.000 | 1.000.000 |
| DN 25 | D50 | 340.000 | 400.000 | 1.000.000 |
| DN 25 | D80 | 130.000 | 180.000 | 200.000 |
| DN 32 | D80 | 90.000 | 130.000 | 170.000 |
| DN 40 | D80 | 45.000 | 60.000 | 75.000 |
| DN 50 | D80 | 40.000 | 55.000 | 70.000 |

At an operating temperature of 20 °C the expected life of the valve will be increased by approx. 30% .

Spring closes NC (closing with flow)

Flanged valves, closing with flow, NO, preferred usage with gaseous media, with liquids closure strokes may occur.

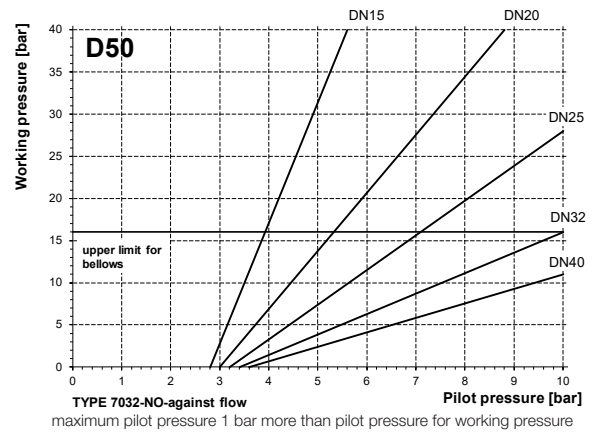
Actuator diameter 50 mm



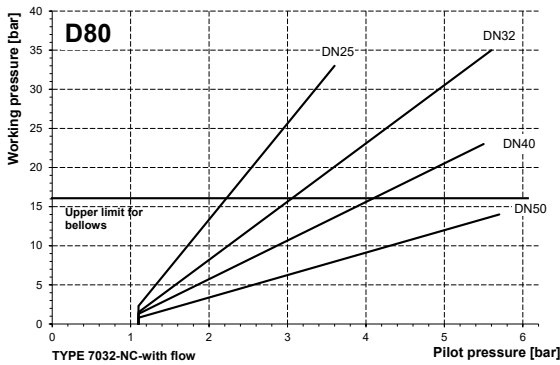
Spring opens NO (closing against flow)

Normally open flanged valves, closing against the flow.

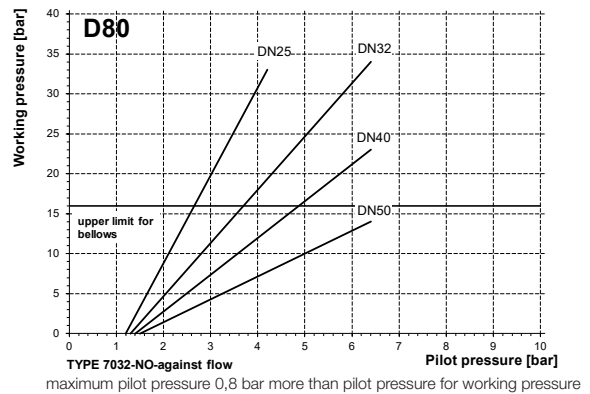
Actuator diameter 50 mm



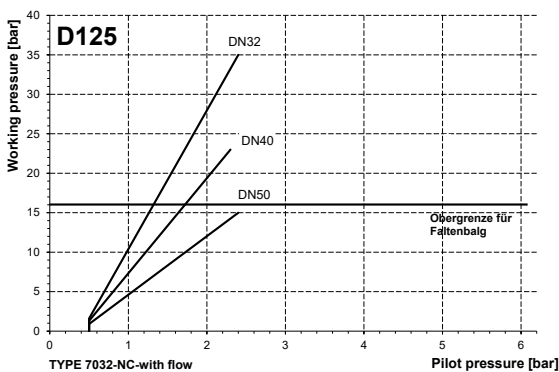
Actuator diameter 80 mm



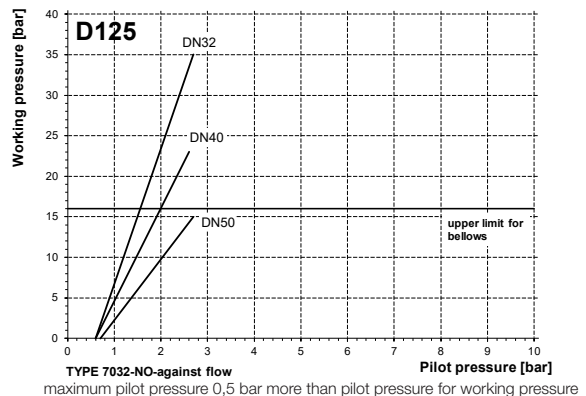
Actuator diameter 80 mm



Actuator diameter 125 mm

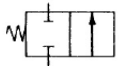


Actuator diameter 125 mm



Flanged Valve with bellows 7032

Spring to closed (closing against the flow)



flanged valve, normally closed - closing against the flow, for use with liquid and gaseous media

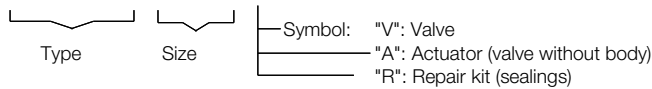
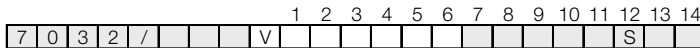
| Nominal size | Working pressure max. (differential pressure) bar | Pilot pressure bar | Piston Ø mm | Springs |
|--------------|---|--------------------|-------------|---------|
| DN15 | 10 | 3,5 - 10 | 50 | 1 |
| DN15 | 17 | 4,5 - 10 | 50 | 2 |
| DN20 | 5,1 | 3,5 - 10 | 50 | 1 |
| DN20 | 10 | 4,5 - 10 | 50 | 2 |
| DN20 | 16 | 5,7 - 10 | 50 | 3 |
| DN25 | 2,3 | 3,5 - 10 | 50 | 1 |
| DN25 | 5,6 | 4,5 - 10 | 50 | 2 |
| DN25 | 8,9 | 5,7 - 10 | 50 | 3 |
| DN25 | 20 | 3,5 - 10 | 80 | 1 |
| DN32 | 3,1 | 4,5 - 10 | 50 | 2 |
| DN32 | 5,1 | 5,7 - 10 | 50 | 3 |
| DN32 | 11 | 3,5 - 10 | 80 | 1 |
| DN32 | 16 | 4,4 - 10 | 80 | 2 |
| DN32 | 21 | 5,6 - 10 | 80 | 3 |
| DN32 | 10 | 1,3 - 10 | 125 | 1 |
| DN32 | 22 | 2,2 - 10 | 125 | 2 |

| Nominal size | Working pressure max. (differential pressure) bar | Pilot pressure bar | Piston Ø mm | Springs |
|--------------|---|--------------------|-------------|---------|
| DN40 | 1,9 | 4,5 - 10 | 50 | 2 |
| DN40 | 3,4 | 5,7 - 10 | 50 | 3 |
| DN40 | 6,8 | 3,5 - 10 | 80 | 1 |
| DN40 | 9,6 | 4,4 - 10 | 80 | 2 |
| DN40 | 12 | 5,6 - 10 | 80 | 3 |
| DN40 | 6,3 | 1,3 - 10 | 125 | 1 |
| DN40 | 14 | 2,2 - 10 | 125 | 2 |
| DN40 | 20 | 3,1 - 10 | 125 | 3 |
| DN50 | 4 | 3,5 - 10 | 80 | 1 |
| DN50 | 5,9 | 4,4 - 10 | 80 | 2 |
| DN50 | 7,7 | 5,6 - 10 | 80 | 3 |
| DN50 | 8,7 | 2,2 - 10 | 125 | 2 |
| DN50 | 12 | 3,1 - 10 | 125 | 3 |

limitation with bellow nominal pressure 16 bar

Standard (2 Springs)

Ordering Number System



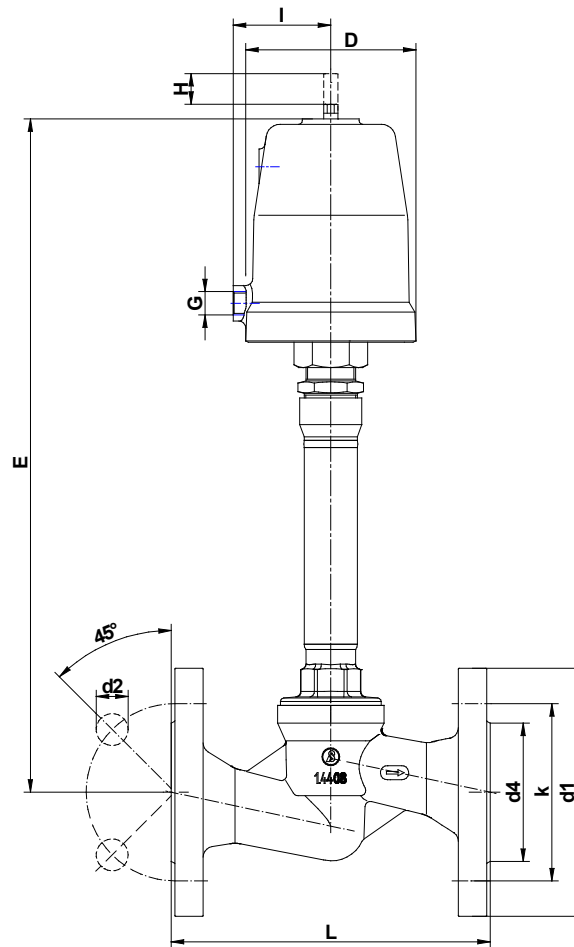
1 - 6 : Please quote all 6 sections.
7 - 14: Quote only if required.

| 1. Body type | 2. Connection | 3. Body material | 4. Seating seal | 5. Pilot function | 6. Actuator | 7. Springs |
|-----------------|-----------------------------|-------------------|--|--|--|--|
| 9 flanged valve | 1 flange acc. DIN EN 1092-1 | 2 stainless steel | 0 PTFE (Teflon) 1 FKM (Viton) 2 EPDM 3 NBR (standard quality) | 0 NC (closing with flow) 1 NO (closing against flow) 2 NC (closing against flow) 3 Universal, double acting | 0 piston Ø 50mm 1 piston Ø 80mm 2 piston Ø 125mm K piston Ø 50mm with plastic bonnet M piston Ø 80mm with plastic bonnet | - standard 1 1 spring 2 2 springs 2 2 springs |

| 8. | 9. Packing | 10. Temperature version | 11. Accessories | 12. Special versions | 13. Other special | 13. Head section |
|----|------------|---|--|--|-------------------|---|
| - | - standard | - standard H high temperature version +200°C B high temperature HT220 | - no accessories 1 electrical position indicator with one switch 2 as above but with two switches 3 manual emergency operation 4 additional manual operation 5 stroke limitation 6 pilot valve DN 2, 230 V AC 7 pilot valve DN 2, 24 V DC K electr. position indicator compact M position indicator with two ind. switches 10 - 36 V DC (PNP) P position indicator with one ind. switches 10 - 36 V DC (PNP) T position indicator compact, inductive 10 - 30 V DC (PNP) | S Special versions M Position indicator with cable bushing N Position indicator with plug connection | - | F lengthened head section with bellows 6 lengthened head section |

Ordering example: 7032/050V912021- - - - 5S-F
Flanged valve type 7032, DN 50, connection DIN flange, body material stainless steel, seating seal PTFE, NC closing against flow, actuator 80 mm, stroke limitation, lengthened head section with bellows

Dimensions and Weights



| DN | Actuator | L | D | d1 | d2 | d4 | k | E | G | Stroke | I |
|----|----------|-----|-----|-----|----|-----|-----|--------|------|--------|------|
| 15 | 50 | 130 | 62 | 95 | 14 | 45 | 65 | 299,5 | 1/8" | 12 | 34,5 |
| 20 | 50 | 150 | 62 | 105 | 14 | 58 | 75 | 304 | 1/8" | 15,5 | 34,5 |
| 25 | 50 | 160 | 62 | 115 | 14 | 68 | 85 | 317,3 | 1/8" | 16 | 34,5 |
| 25 | 80 | 160 | 98 | 115 | 14 | 68 | 85 | 355,9 | 1/4" | 21 | 55 |
| 32 | 80 | 180 | 98 | 140 | 18 | 78 | 100 | 359,9 | 1/4" | 23 | 55 |
| 32 | 125 | 180 | 144 | 140 | 18 | 78 | 100 | 384,9 | 1/4" | 23 | 55 |
| 40 | 80 | 200 | 98 | 150 | 18 | 88 | 110 | 365,4 | 1/4" | 28,5 | 55 |
| 40 | 125 | 200 | 144 | 150 | 18 | 88 | 110 | 390,4 | 1/4" | 28,5 | 55 |
| 50 | 80 | 230 | 98 | 165 | 18 | 102 | 125 | 389,1 | 1/4" | 30 | 55 |
| 50 | 125 | 230 | 144 | 165 | 18 | 102 | 125 | 413,85 | 1/4" | 30 | 55 |

Dimensions in mm