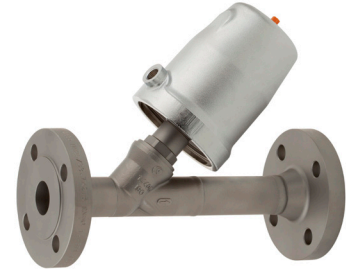


# Angle Seat Valve 7031

1/2" up to 3"

**Pneumatically operated angle seat valve for the control of neutral, slightly aggressive and highly aggressive media.**

- Compact design
- Unaffected by lightly contaminated media
- For temperatures from -148°F up to +428°C
- Working pressure up to 580 psi
- Versatile actuator options



## Technical Information

Body material	Stainless steel CF8M
Nominal size	1/2" up to 3"
Connections	flange acc. ASME B16.5: ANSI #150, ANSI #300
Nominal pressure	ANSI #150 / ANSI #300
Max. fluid temperature* with metal bonnet	-22°F up to +338°F opt.-148°F up to +428°F
with plastic bonnet	-22°F up to +275°F
with diaphragm actuator	-22°F up to +392°F opt.-148 up to +428°F
Ambient temperature	+5°F up to +140°F (special versions from -40°F up to +212°F possible)
Vacuum	maximum 0.0295 mercury (Hg)
Working pressure	See tables and diagrams, limitation for dangerous gases acc. Pressure equipment directive 2014/68/EU (category I): PS (psi) x DN (inch) / 1.75 < 1000
Working pressure for packing underneath	maximum 12 bar
Leakage acc. EN 12266-1	leakage class A
Body dimension	L acc. DIN EN 558-92 (old: DIN 3202-F3)

\*: Please consider further temperature versions and limits on Page 14

## Options and accessories

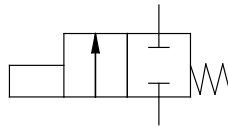
- Stroke limitation
- Manual emergency operation
- El. position indicator with inductive or mechanical limit switches
- Solenoid valves
- AS-I control head
- Oil- and greasefree version, PTFE-free version, siliconfree version
- Versions for oxygen or ozon applications
- FDA-compliant version
- Offshore-version
- Mounting bracket for inductive limit switches
- Version for higher pilot pressures
- Version for under water use
- ...

# Angle Seat Valve 7031

## Build up and function

### Spring closes

The function „spring closes“ may be applied closing against or closing with the flow. In the configuration closing with the flow the valve should only be used for gaseous fluids. If used for liquids, water hammers may occur.



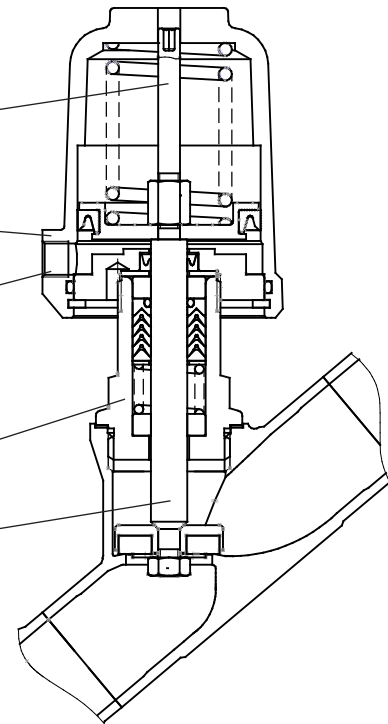
Removable position indicator

Bonnet can be rotated as required (compressed air connection)

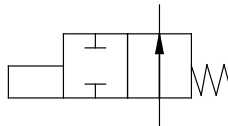
Direct pressure control (with a pilot valve if required) actuation by air, water, mineral oil and other media

Head Section

Piston rod stainless steel



### Spring opens



Bonnet material chrome plated brass, plastic, stainless steel or Aluminium

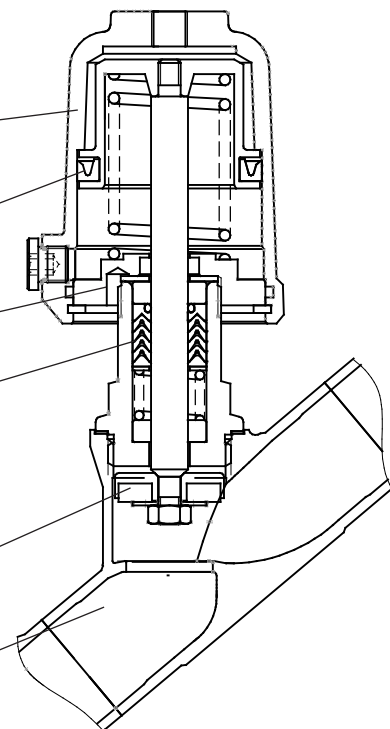
Exterior lip seal

Leak detector

PTFE packing, special version free or (packing underneath)

Seating seal in PTFE or other materials

body with various connection types

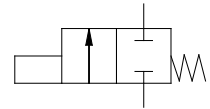
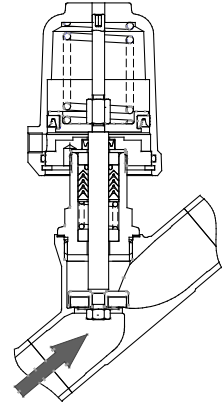


# Angle Seat Valve 7031



## Pilot and operating pressures

### Function „spring closes“, closing against flow



Nominal size	Version	Actuator	Springs	max. differential pressure			pilot pressure [psi]	
				PTFE	PEEK 7	PEEK 8		
Seating seal								
1/2"	Standard	2"	1	310	-	245	51 - 145	
			2	500	165	435	66 - 145	
			3	580	375	580	83 - 145	
		3"	1	580	580	580	51 - 145	
3/4"	Standard	2"	1	100	-	53	51 - 145	
			2	180	-	135	66 - 145	
			3	275	42	220	83 - 145	
		3"	1	580	360	550	51 - 145	
			2	580	555	580	64 - 145	
			3	580	580	580	82 - 145	
1"	Standard	2"	1	34	-	-	51 - 145	
			2	82	-	46	66 - 145	
			3	130	-	95	83 - 145	
		3"	1	315	140	280	51 - 145	
			2	435	250	395	64 - 145	
			3	565	390	525	82 - 145	
		5"	1	275	97	235	19 - 145	
			2	580	405	550	32 - 145	
			3	580	580	580	45 - 145	
1 1/4"	Standard	2"	1	14	-	-	51 - 145	
			2	44	-	15	66 - 145	
			3	73	-	44	83 - 145	
		3"	1	180	39	150	51 - 145	
			2	245	105	215	64 - 145	
			3	315	180	295	82 - 145	
		5"	1	150	15	125	19 - 145	
			2	340	200	310	32 - 145	
			3	485	345	455	45 - 145	
			4	565	425	535	58 - 145	
			10"	8	580	580	580	40 - 87
	pressure balanced	2"	2	580	-	580	66 - 145	
3"		1	580	580	580	51 - 145		
		2	580	580	580	64 - 145		
1 1/2"	Standard	2"	2	27	-	-	66 - 145	
			3	47	-	23	83 - 145	
			1	110	-	89	51 - 145	
		3"	2	155	40	130	64 - 145	
			3	200	89	180	82 - 145	
			1	100	-	72	19 - 145	
		5"	2	220	105	200	32 - 145	
			3	315	200	295	45 - 145	
			4	360	235	340	58 - 145	
	d16	10"	8	460	345	435	40 - 87	
			12	580	525	580	54 - 87	
			2"	3	580	-	580	83 - 145
	pressure balanced	3"	1	580	-	580	51 - 145	
			2	580	580	580	64 - 145	
			2	580	580	580	64 - 145	

= Standard spring configuration  
 d16: reinforced design with 16mm (0.63") piston rod  
 PEEK 7: Seating seal made of PEEK for use below 320°F  
 PEEK 8: Seating seal made of PEEK for use above 320°F  
 For soft seals such as EPDM, FKM, NBR or Vulkolan the same values as with PTFE are valid

## Pilot and operating pressures

### Function „spring closes“, closing against flow

Nominal size	Version	actuator	Springs	max. differential pressure			pilot pressure [psi]
				PTFE	PEEK 7	PEEK 8	
Seating seal							
2"	Standard	2"	2	14	-	-	66 - 145
			3	27	-	-	83 - 145
		3"	1	59	-	40	51 - 145
			2	87	-	66	64 - 145
			3	110	17	94	82 - 145
		5"	1	55	-	36	19 - 145
			2	125	34	110	32 - 145
			3	180	87	155	45 - 145
		d16	5"	4	185	98	170
	8			280	185	260	40 - 87
	10"		12	395	300	375	54 - 87
	pressure balanced	2"	2	455	-	-	66 - 145
			3	580	-	-	83 - 145
		3"	2	580	155	580	64 - 145
			3	580	580	580	82 - 145
		5"	2	580	580	580	32 - 145
2 1/2"	Standard	3"	3	60	-	46	82 - 145
			1	27	-	-	19 - 145
		5"	2	69	-	56	32 - 145
	3		100	29	87	45 - 145	
	d16	5"	3	100	29	87	45 - 145
			4	105	36	94	58 - 145
		10"	8	155	87	145	40 - 87
			12	215	145	200	54 - 87
	pressure balanced	2"	2	300	-	-	66 - 145
			3	360	-	360	64 - 145
		5"	2	360	-	360	32 - 145
	3		360	360	360	45 - 145	
3"	d16	5"	3	68	-	56	46 - 145
			4	72	-	60	58 - 145
		10"	8	105	49	97	40 - 87
			12	150	92	140	54 - 87
	pressure balanced	3"	2	360	-	260	67 - 145
			3	360	-	360	82 - 145
		5"	2	360	-	360	32 - 145
			3	360	88	360	46 - 145

= Standard spring configuration

d16: reinforced design with 16mm (0.63") piston rod

PEEK 7: Seating seal made of PEEK for use below 320°F

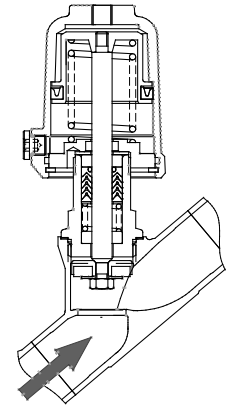
PEEK 8: Seating seal made of PEEK for use above 320°F

For soft seals such as EPDM, FKM, NBR or Vulkolan the same values as with PTFE are valid

# Angle Seat Valve 7031

## Pilot and operating pressures

Function „spring opens“, closing against flow



Seating seal PTFE, EPDM, FKM, NBR or Vulkolan

Nominal size	Version	Actuator $\phi$	Max. differential pressure [psi] at available pilot pressure [psi]												
			20	30	40	50	60	70	80	90	100	110	120	130	140
1/2"	Standard	2"	0	0	47	185	325	465	580	580	-	-	-	-	-
		3"	310	580	-	-	-	-	-	-	-	-	-	-	-
3/4"	Standard	2"	0	0	0	54	120	190	260	330	400	470	540	580	580
		3"	115	300	480	580	-	-	-	-	-	-	-	-	-
1"	Standard	2"	0	0	0	15	56	97	135	180	220	260	300	345	385
		3"	53	160	270	375	485	580	580	-	-	-	-	-	-
1 1/4"	Standard	2"	0	0	0	2	28	54	79	105	130	155	180	205	230
		3"	21	89	155	220	290	355	425	490	560	580	-	-	-
		5"	205	370	535	-	-	-	-	-	-	-	-	-	-
1 1/2"	Standard	2"	0	0	0	0	16	33	51	69	87	105	120	140	155
		3"	8	55	100	145	195	240	290	335	380	430	475	525	570
		5"	135	250	365	480	580	-	-	-	-	-	-	-	-
2"	Standard	2"	0	0	0	0	6	18	30	41	53	64	76	87	99
		3"	0	27	58	88	115	145	175	205	235	270	300	330	360
		5"	80	155	230	300	375	450	525	580	-	-	-	-	-
2 1/2"	Standard	3"	0	12	29	46	63	81	98	115	130	145	165	180	200
		5"	42	84	125	165	210	250	295	335	360	-	-	-	-
	d16	5"	41	83	125	165	205	250	290	330	360	-	-	-	-
3"	d16	5"	26	56	85	110	140	170	200	230	260	285	315	345	360

d16: reinforced design with 16mm (0.63") piston rod

Actuator 2": max. pilot pressure 15 psi above the required pilot pressure

Actuator 3": max. pilot pressure 12 psi above the required pilot pressure

Actuator 5" and 10": max. pilot pressure 7 psi above the required pilot pressure

## Pilot and operating pressures

### Function „spring opens“, closing against flow

Seating seal PEEK-8

Nominal size	Version	Actuator	Max. differential pressure [psi] at available pilot pressure [psi]												
			20	30	40	50	60	70	80	90	100	110	120	130	140
1/2"	Standard	2"	0	0	0	120	260	400	540	580	-	-	-	-	-
		3"	245	580	580	-	-	-	-	-	-	-	-	-	
3/4"	Standard	2"	0	0	0	7	77	145	215	285	350	420	490	560	580
		3"	71	250	435	580	-	-	-	-	-	-	-	-	
1"	Standard	2"	0	0	0	0	20	61	100	140	185	225	265	305	350
		3"	17	125	230	340	450	555	580	-	-	-	-	-	
1 1/4"	Standard	2"	0	0	0	0	0	25	51	76	100	125	150	175	205
		3"	0	60	125	195	260	325	395	460	530	580	-	-	-
		5"	175	340	505	580	-	-	-	-	-	-	-	-	
1 1/2"	Standard	3"	0	31	78	125	170	215	265	310	360	405	450	500	545
		5"	110	225	345	460	575	-	-	-	-	-	-	-	
2"	Standard	3"	0	8	39	69	99	125	160	190	220	250	280	310	340
		5"	61	135	210	285	360	435	505	580	-	-	-	-	
2 1/2"	Standard	3"	0	0	15	32	49	66	83	100	115	135	150	165	185
		5"	28	70	110	150	195	235	280	320	360	-	-	-	
	d16	10"	0	81	165	255	340	-	-	-	-	-	-	-	
3"	d16	3"	0	0	4	16	27	39	51	62	74	86	97	105	120
		5"	14	44	73	100	130	160	185	215	245	275	305	335	360
		10"	0	52	110	170	230	290	350	-	-	-	-	-	

Seating seal PEEK-7

Nominal size	Version	Actuator	Max. differential pressure [psi] at available pilot pressure [psi]												
			20	30	40	50	60	70	80	90	100	110	120	130	140
1/2"	Standard	2"	0	0	47	185	325	465	580	580	-	-	-	-	-
		3"	310	580	-	-	-	-	-	-	-	-	-	-	
3/4"	Standard	2"	0	0	0	54	120	190	260	330	400	470	540	580	580
		3"	115	300	480	580	-	-	-	-	-	-	-	-	
1"	Standard	3"	53	160	270	375	485	580	580	-	-	-	-	-	
		5"	350	580	-	-	-	-	-	-	-	-	-	-	
1 1/4"	Standard	3"	21	89	155	220	290	355	425	490	560	580	-	-	-
		5"	205	370	535	-	-	-	-	-	-	-	-	-	
1 1/2"	Standard	3"	8	55	100	145	195	240	290	335	380	430	475	525	570
		5"	135	250	365	480	580	-	-	-	-	-	-	-	
2"	Standard	3"	0	27	58	88	115	145	175	205	235	270	300	330	360
		5"	80	155	230	300	375	450	525	580	-	-	-	-	
		10"	22	175	325	480	-	-	-	-	-	-	-	-	
2 1/2"	Standard	5"	42	84	125	165	210	250	295	335	360	-	-	-	-
	d16	10"	9	96	180	265	355	-	-	-	-	-	-	-	
3"	d16	5"	26	56	85	110	140	170	200	230	260	285	315	345	360
		10"	4	64	125	185	245	305	360	-	-	-	-	-	

d16: reinforced design with 16mm (0.63") piston rod

PEEK 7: Seating seal made of PEEK for use below 320°F

PEEK 8: Seating seal made of PEEK for use above 320°F

Actuator 2": max. pilot pressure 15 psi above the required pilot pressure

Actuator 3": max. pilot pressure 12 psi above the required pilot pressure

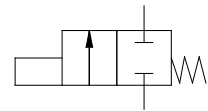
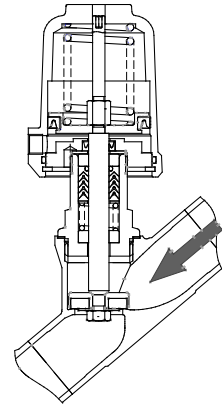
Actuator 5" and 10": max. pilot pressure 7 psi above the required pilot pressure

# Angle Seat Valve 7031

## Pilot and operating pressures

### Function „spring closes“, closing with flow

- Angled seat valve closing with the flow, spring closes
- Use preferably for gaseous fluids
- With liquids waterhammers are possible



Seating seal PTFE, EPDM, FKM, NBR or Vulkolan

Nominal Size	Version	Actuator	Springs	Max. differential pressure [psi] at available pilot pressure [psi]												
				20	30	40	50	60	70	80	90	100	110	120	130	140
1/2"	Standard	2"	Standard	0	0	195	530	580	580	580	580	580	580	580	580	580
3/4"	Standard	2"	Standard	0	0	92	185	285	380	480	580	580	580	580	580	580
		3"	Standard	145	400	580	580	580	580	580	580	580	580	580	580	580
1	Standard	2"	Standard	0	8	58	105	155	205	255	305	355	405	455	475	475
		3"	Standard	80	210	340	470	475	475	475	475	475	475	475	475	475
1 1/4"	Standard	2"	Standard	0	5	34	62	91	120	145	175	205	230	260	275	275
		3"	Standard	49	120	200	275	350	425	500	505	505	505	505	505	505
		5"	Standard	250	435	505	505	505	505	505	505	505	505	505	505	505
1 1/2"	Standard	2"	Standard	0	0	14	33	53	72	91	110	130	150	165	185	185
		3"	Standard	0	43	94	140	195	245	295	330	330	330	330	330	330
		5"	Standard	70	195	320	330	330	330	330	330	330	330	330	330	330
	d16	5"	Standard	67	190	315	435	560	580	580	580	580	580	580	580	
2"	Standard	2"	Standard	0	0	8	20	32	44	56	69	81	93	105	115	115
		3"	Standard	1	33	65	97	125	160	190	215	215	215	215	215	215
		5"	Standard	50	125	205	215	215	215	215	215	215	215	215	215	215
	d16	5"	Standard	49	125	200	280	355	435	510	550	550	550	550	550	
2 1/2"	Standard	3"	Standard	0	18	35	53	71	88	105	120	140	155	170	170	170
		5"	Standard	27	71	110	155	170	170	170	170	170	170	170	170	
	d16	5"	Standard	26	69	110	155	195	240	280	290	290	290	290	290	
3"	d16	3"	Standard	0	10	22	34	46	58	70	81	93	105	115	125	140
		5"	Standard	18	48	77	105	135	165	185	185	185	185	185	185	
		10"	Standard	15	77	135	185	185	185	185	185	-	-	-	-	

d16: reinforced design with 16mm (0.63") piston rod

## Pilot and operating pressures

### Function „spring closes“, closing with flow

Seating seal PEEK-8

Nominal Size	Version	Actuator	Springs	Max. differential pressure [psi] at available pilot pressure [psi]												
				20	30	40	50	60	70	80	90	100	110	120	130	140
1/2"	Standard	2"	2	0	0	0	0	125	460	580	580	580	580	580	580	580
3/4"	Standard	2"	2	0	0	0	9	105	200	300	395	495	580	580	580	580
		3"	1	0	0	190	445	580	580	580	580	580	580	580	580	
		5"	1	260	580	580	580	580	580	580	580	580	580	580	580	
1"	Standard	2"	2	0	0	0	27	77	125	175	225	275	325	375	425	475
		3"	1	0	0	0	125	255	385	475	475	475	475	475	475	
		5"	1	260	580	580	580	580	580	580	580	580	580	580	580	
1 1/4"	Standard	2"	2	0	0	0	17	45	74	100	130	160	185	215	245	275
		3"	1	0	0	12	88	160	235	310	385	460	505	505	505	
		5"	1	95	280	465	505	505	505	505	505	505	505	505	505	
1 1/2"	Standard	3"	1	0	0	17	68	115	170	220	270	320	330	330	330	330
		5"	2	0	59	185	310	330	330	330	330	330	330	330	330	
		d16	2	0	56	180	300	425	550	580	580	580	580	580	580	
2"	Standard	3"	2	0	0	0	25	57	89	120	150	180	215	215	215	215
		5"	2	0	50	125	205	215	215	215	215	215	215	215	215	
	d16	5"	2	0	47	125	200	280	355	435	510	550	550	550	550	
		10"	6	41	200	360	520	550	550	550	-	-	-	-		
2 1/2"	Standard	5"	2	0	27	70	110	155	170	170	170	170	170	170	170	
		5"	2	0	25	68	110	150	195	240	280	290	290	290		
		10"	6	23	110	200	290	290	290	290	290	-	-	-		
3"	d16	5"	2	0	17	47	77	105	135	165	185	185	185	185	185	
		10"	6	15	77	135	185	185	185	185	185	-	-	-		

Seating seal PEEK-7

Nominal Size	Version	Actuator	Springs	Max. differential pressure [psi] at available pilot pressure [psi]												
				20	30	40	50	60	70	80	90	100	110	120	130	140
1/2"	Standard	2"	2	0	0	0	0	125	460	580	580	580	580	580	580	
3/4"	Standard	3"	1	0	0	0	190	445	580	580	580	580	580	580		
		5"	1	260	580	580	580	580	580	580	580	580	580			
1"	Standard	3"	1	0	0	0	125	255	385	475	475	475	475	475		
		5"	1	150	470	475	475	475	475	475	475	475	475			
1 1/4"	Standard	3"	2	0	0	0	12	88	160	235	310	385	460	505	505	
		5"	1	95	280	465	505	505	505	505	505	505	505			
1 1/2"	Standard	3"	2	0	0	0	20	70	120	170	220	270	325	330	330	
		5"	2	0	59	185	310	330	330	330	330	330	330	330		
	d16	2	0	56	180	300	425	550	580	580	580	580	580			
2"	Standard	5"	2	0	50	125	205	215	215	215	215	215	215	215		
		5"	2	0	47	125	200	280	355	435	510	550	550			
	d16	10"	6	41	200	360	520	550	550	550	-	-	-			
2 1/2"	Standard	5"	3	0	0	39	82	125	165	170	170	170	170	170		
		5"	3	0	0	37	80	120	165	205	250	290	290			
		10"	6	23	110	200	290	290	290	290	-	-	-			
3"	d16	5"	2	0	17	47	77	105	135	165	185	185	185	185		
		10"	6	15	77	135	185	185	185	185	185	-	-			

d16: reinforced design with 16mm (0.63") piston rod

PEEK 7: Seating seal made of PEEK for use below 320°F

PEEK 8: Seating seal made of PEEK for use above 320°F



## Ordering Number System

7	0	1	0	/			V								S
└───┬───┘				└───┬───┘											
Type				Size											
└───┬───┘ └───┬───┘ └───┬───┘ └───┬───┘ └───┬───┘ └───┬───┘ └───┬───┘ └───┬───┘ └───┬───┘ └───┬───┘ └───┬───┘ └───┬───┘ └───┬───┘ └───┬───┘ └───┬───┘ └───┬───┘															
Symbol: "V": Valve "A": Actuator (valve without body) "R": Repair kit (sealings)															

1 - 6 : Please quote all 6 sections.  
7 - 12: Quote only if required.

1.	Body type	2.	Connection	3.	Body material	4.	Seating seal	5.	Pilot function	6.	Actuator
2	angle seat flange bodied valve	C	angle seat flange bodied valve acc. ANSI 150	2	stainless steel 1.4408	0	PTFE	0	NC (closing with flow)	7	piston 2" (NPT)
		F	angle seat flange bodied valve acc. ANSI 300			1	FKM (Viton)	1	NO (closing against flow)	8	piston 3" (NPT)
		9	Angle Seat Flange Valve acc. DIN EN 1092-1, installation length acc. DIN 3202 F3			2	EPDM	2	NC (closing against flow)	9	piston 5" (NPT)
						3	NBR	3	Universal, double acting	P	plastic bonnet for piston 2" (NPT)
						5	PTFE with 25% glass fibre	5	spring closes, pressure balanced (closing against flow)	S	plastic bonnet for piston 3" (NPT)
						7	PEEK	7	spring opens pressure balanced (closing against flow)	D	diaphragm D 10" stainless steel (NPT) For metric air-connection please consult factory
						8	PEEK for applications above 160°C[320°F]				
7.	Springs	8.	Head section material	9.	Packing	10.	Temperature version	11.	Accessories	12.	Special versions
-	standard	-	standard	-	standard	-	Standard	-	no accessories	S	further special versions
1	1 spring	K	reinforced design	2	packing under- neath	H	High tempera- ture version	1	electrical position indica- tor with one switch	M	position indica- tor with cable bushing
2	2 springs							2	electrical position indica- tor with two switches	N	position indi- cator with plug connection
3	3 springs							3	manual emergency operation		
T	6 springs (D250)							4	manual override		
W	8 springs (D250)							5	stroke limitation		
Y	12 springs (D250)							6	pilot valve DN 2, 230 V AC		
								7	pilot valve DN 2, 24 V DC		
								K	electr. position indicator compact		
								M	position indicator with two ind. switch 10 - 36 V DC (PNP)		
								P	position indicator with one ind. switch 10 - 36 V DC (PNP)		
								T	position indicator com- pact, inductive 10 - 30 V DC (PNP)		

Ordering example:

7010/050V2C20212- - -5

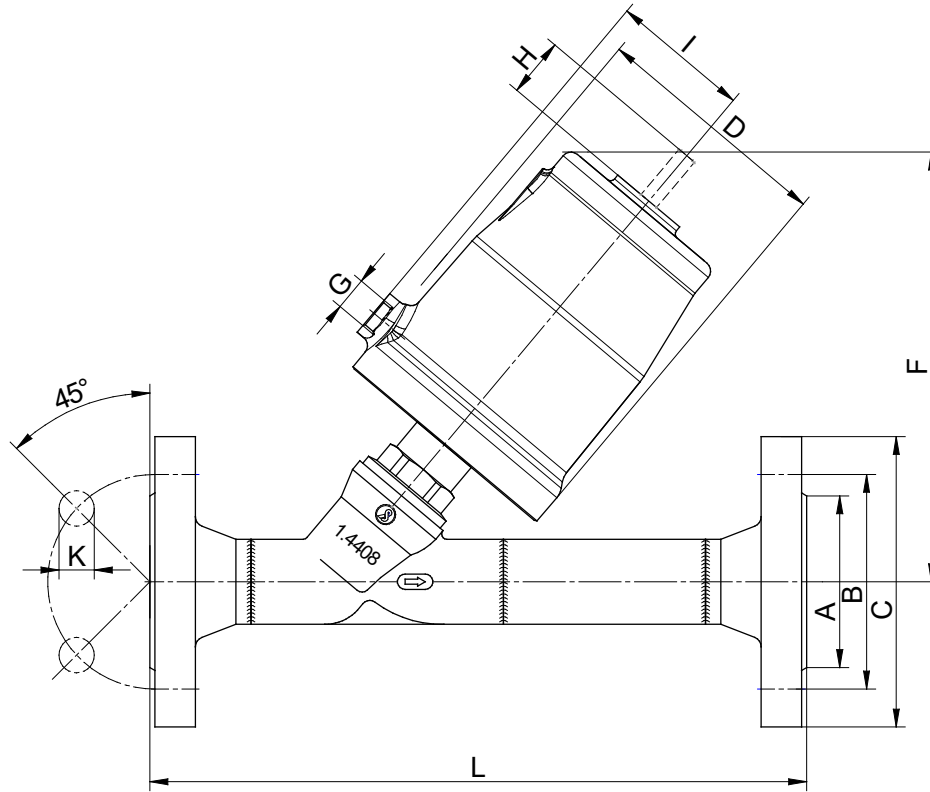
Nominal size 2", angle seat flange valve, flange acc. ANSI #150 stainless steel body, PTFE seat material, N.C., actuator size 3", two springs, stroke limitation.

# Angle Seat Valve 7031



standard design

## Dimensions and Weights



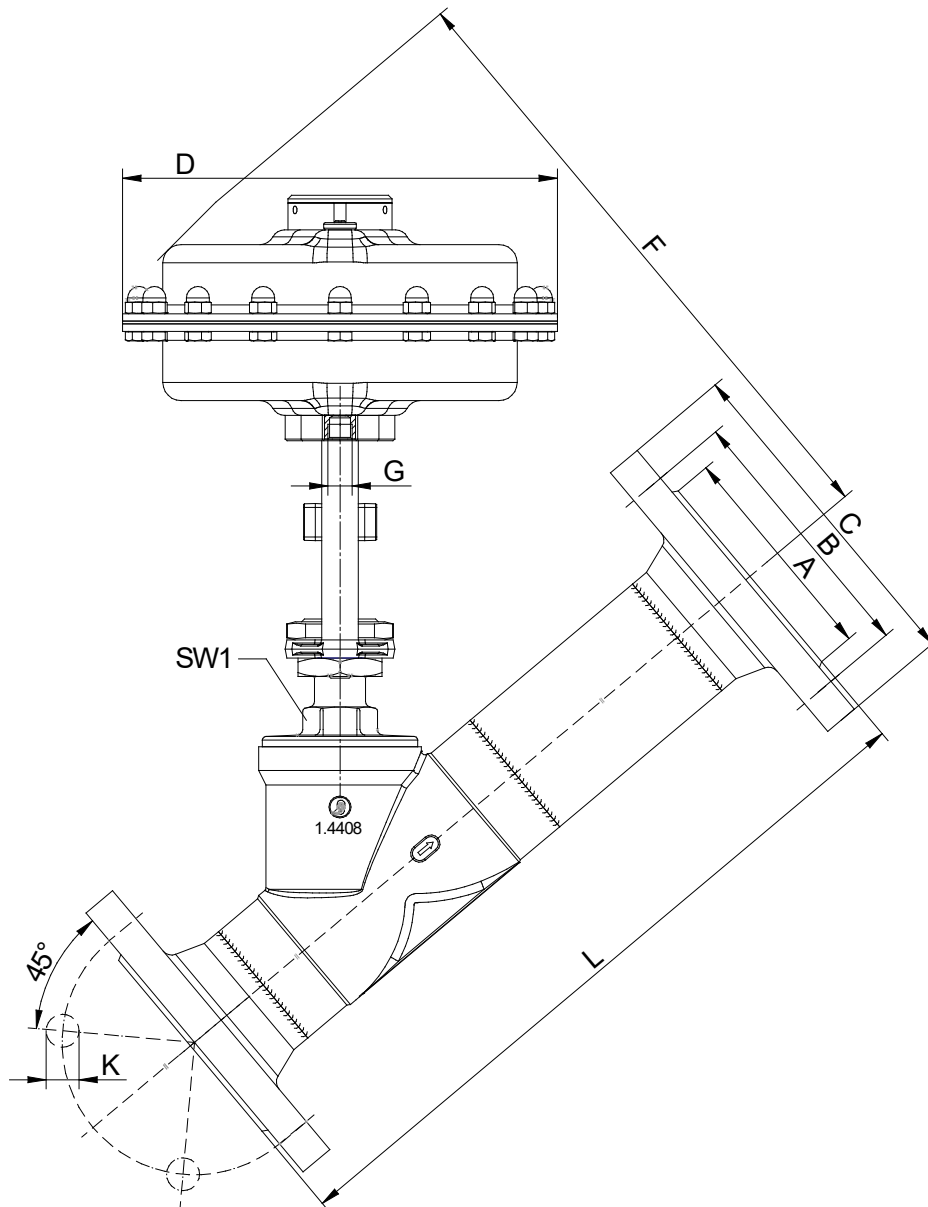
Normal closed

DN	piston Ø	A		B		C		D	F	G	H		K		L*	M	N number of bores	Cvs- value	Weight (lbs)
		PN40 (DN65 PN16)	ANSI #150	PN40	ANSI #150	PN40	ANSI #150				(stro- ke)	I	PN40	ANSI #150					
1/2"	2"	1.77	1.37	2.56	2.37	3.74	3.54	2.44	4.92	G1/8	0.28	1.36	0.55	0.62	9.06	2.56	4	4.1	6
3/4"	2"	2.28	1.69	2.95	2.75	4.13	3.94	2.44	4.92	G1/8	0.47	1.36	0.55	0.62	10.24	2.95	4	10.4	7.5
1"	2"	2.68	2	3.35	3.13	4.53	4.33	2.44	5.12	G1/8	0.63	1.36	0.55	0.62	10.24	3.35	4	17.4	9
	3"	2.68	2	3.35	3.13	4.53	4.33	3.86	6.69	G1/4	0.63	2.17	0.55	0.62	10.24	3.35	4	19.7	12.6
1 1/4"	2"	3.07	2.5	3.94	3.5	5.51	4.53	2.44	5.71	G1/8	0.63	1.36	0.71	0.62	11.81	3.94	4	24.4	12.6
	3"	3.07	2.5	3.94	3.5	5.51	4.53	3.86	7.28	G1/4	0.79	2.17	0.71	0.62	11.81	3.94	4	27.8	15.9
	5"	3.07	2.5	3.94	3.5	5.51	4.53	5.75	8.46	G1/4	0.79	3.15	0.71	0.62	11.81	3.94	4	27.8	20.7
1 1/2"	2"	3.46	2.87	4.33	3.87	5.91	4.92	2.44	5.91	G1/8	0.63	1.36	0.71	0.62	11.81	4.33	4	34.8	14.1
	3"	3.46	2.87	4.33	3.87	5.91	4.92	3.86	7.48	G1/4	0.91	2.17	0.71	0.62	11.81	4.33	4	42.9	17.4
	5"	3.46	2.87	4.33	3.87	5.91	4.92	5.75	8.66	G1/4	0.91	3.15	0.71	0.62	11.81	4.33	4	42.9	22
2"	2"	4.02	3.63	4.92	4.75	6.5	5.91	2.44	6.3	G1/8	0.63	1.36	0.71	0.75	13.78	4.92	4	46.4	19
	3"	4.02	3.63	4.92	4.75	6.5	5.91	3.86	7.68	G1/4	1.14	2.17	0.71	0.75	13.78	4.92	4	67.3	22.3
	5"	4.02	3.63	4.92	4.75	6.5	5.91	5.75	8.86	G1/4	1.14	3.15	0.71	0.75	13.78	4.92	4	67.3	27.6
2 1/2"	3"	4.8	4.13	5.71	5.5	7.28	7.09	3.86	8.46	G1/4	1.14	2.17	0.71	0.75	15.75	4.92	8/4	92.8	30.6
	5"	4.8	4.13	5.71	5.5	7.28	7.09	5.75	9.65	G1/4	1.14	3.15	0.71	0.75	15.75	4.92	8/4	92.8	32.2
3"	5"	5.43	5	6.3	6	7.87	7.48	5.75	9.92	G1/4	1.14	3.15	0.71	0.75	17.72	4.92	8/4	129.92	36.7

# Angle Seat Valve 7031

reinforced design

## Dimensions and Weights



PN40

Size	Piston Ø	A	B	C	D	K	number of borings	L	G	F	SW1	F		Cvs- value	Weight (kg)
												pressure	balanced		
50	250	102	125	165	146	18	4	350	NPT1/4	337	32	342	52	58	20,3
65	250	122	145	185	146	18	8	400	NPT1/4	345	41	359	36	80	23
80	250	138	160	200	146	18	8	450	NPT1/4	450	41	416	46	112	23

ANSI150

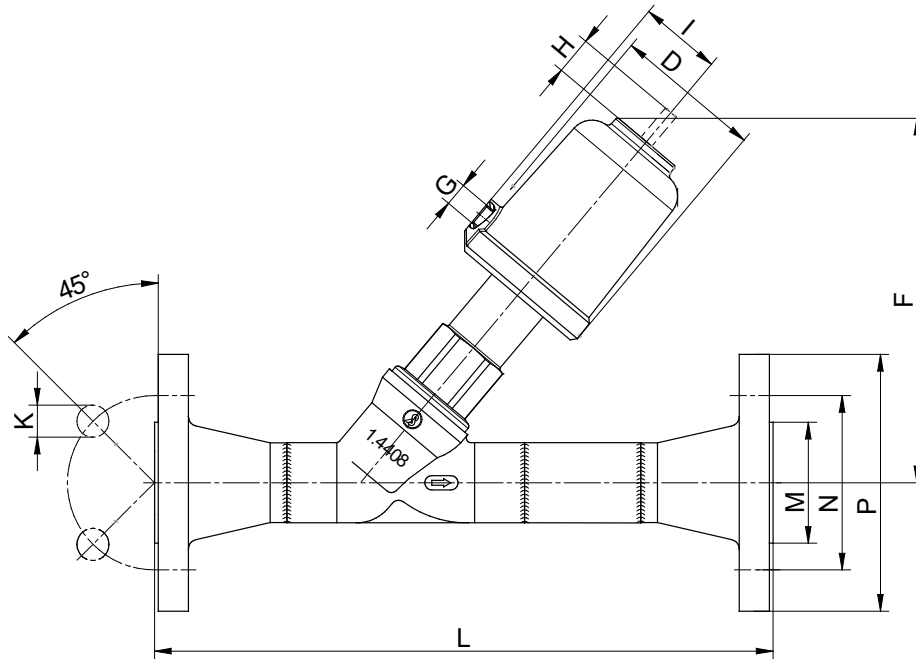
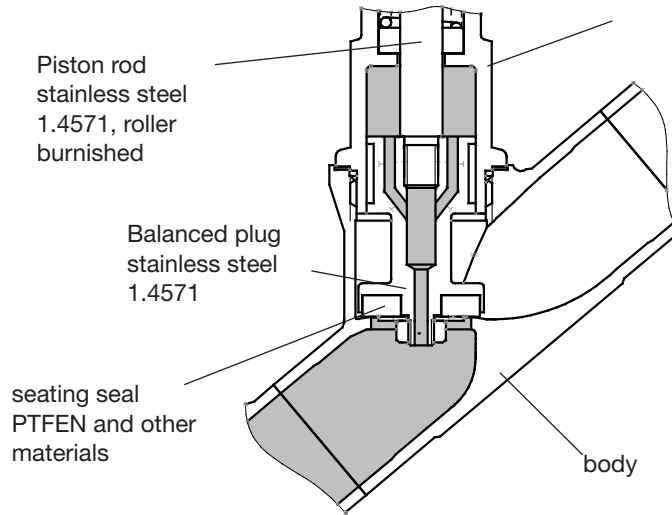
Size	Piston Ø	A	B	C	D	K	number of borings	L	G	F	SW1	F		Cvs-Value	Weight (kg)
												pressure	balanced		
50	250	92	121	152	146	19	4	350	NPT1/4	337	32	342	52	58	20,3
65	250	107	140	178	146	19	4	400	NPT1/4	345	41	359	36	80	23
80	250	127	152	191	146	19	4	450	NPT1/4	450	41	416	46	112	23

# Angle Seat Valve 7031

pressure balanced version



## Build up, dimensions and weight

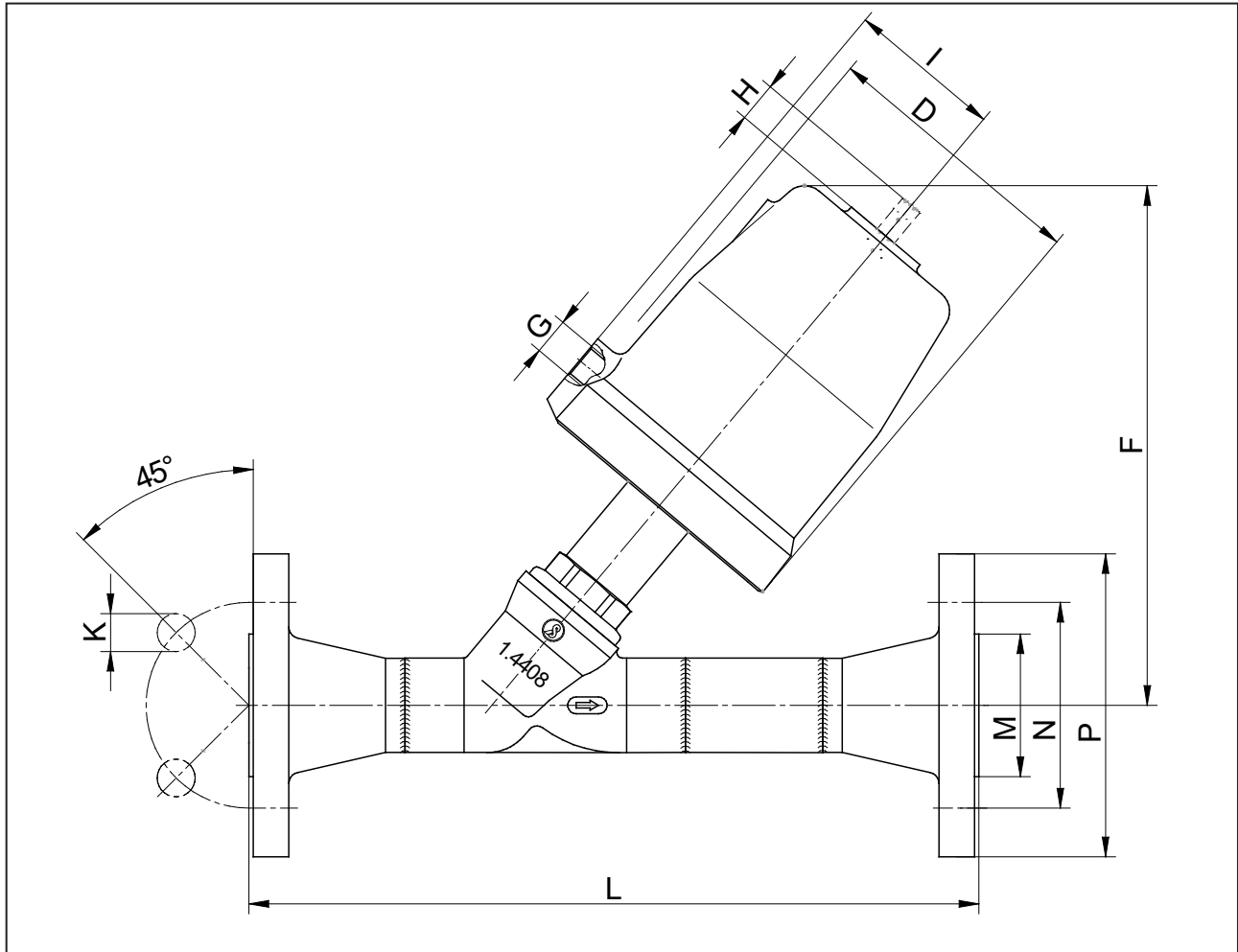


DN	Piston Ø	D	PN40				ANIS150				L	number of bo-rings	I	F	G	H (stroke)
			M	N	P	K	M	N	P	K						
1 1/4"	2"	2.44	3.46	3.94	5.91	0.71	2.5	3.5	4.62	0.62	11.81	4	1.36	6.5	NPT1/8"	0.63
	3"	3.78	3.46	3.94	5.91	0.71	2.5	3.5	4.62	0.62	11.81	4	2.17	8.07	NPT1/4"	0.63
1 1/2"	2"	2.44	3.46	4.33	5.91	0.71	2.88	3.88	5	0.62	11.81	4	1.36	6.89	NPT1/8"	0.63
	3"	3.78	3.46	4.33	5.91	0.71	2.88	3.88	5	0.62	11.81	4	2.17	8.27	NPT1/4"	0.83
2"	2"	2.44	4.02	4.92	6.5	0.71	3.62	4.75	6	0.75	13.78	4	1.36	7.09	NPT1/8"	0.63
	3"	3.78	4.02	4.92	6.5	0.71	3.62	4.75	6	0.75	13.78	4	2.17	8.66	NPT1/4"	0.87
	5"	5.75	4.02	4.92	6.5	0.71	3.62	4.75	6	0.75	13.78	4	3.15	9.65	NPT1/4"	0.87
2 1/2"	2"	2.44	4.8	5.71	7.28	0.71	4.23	5.49	7	0.75	15.75	8/4	1.36	7.87	NPT1/8"	0.63
	3"	3.78	4.8	5.71	7.28	0.71	4.23	5.49	7	0.75	15.75	8/4	2.17	9.45	NPT1/4"	1.14
	5"	5.75	4.8	5.71	7.28	0.71	4.23	5.49	7	0.75	15.75	8/4	3.15	10.43	NPT1/4"	1.14
3"	3"	3.78	5.43	6.3	7.87	0.71	5	6	7.52	0.75	17.72	8/4	2.17	10.67	NPT1/4"	1.14
	5"	5.75	5.43	6.3	7.87	0.71	5	6	7.52	0.75	17.72	8/4	3.15	11.65	NPT1/4"	1.14

# Angle Seat Valve 7031

Version HT220

## Dimensions and weight



DN	Piston Ø	PN40				ANIS150				number of borings	F	L
		M	N	P	K	M	N	P	K			
1/2"	2"	1.77	2.56	3.74	0.55	1.37	2.37	3.54	0.63	4	5.47	9.06
3/4"	2"	2.28	2.95	4.13	0.55	1.69	2.75	3.94	0.63	4	5.67	10.24
	3"	2.28	2.95	4.13	0.55	1.69	2.75	3.94	0.63	4	7.13	10.24
1"	3"	2.68	3.35	4.53	0.55	2	3.13	4.33	0.63	4	7.28	10.24
	5"	2.68	3.35	4.53	0.55	2	3.13	4.33	0.63	4	8.46	10.24
1 1/4"	3"	3.07	3.94	5.51	0.71	2.5	3.5	4.53	0.63	4	7.91	11.81
	5"	3.07	3.94	5.51	0.71	2.5	3.5	4.53	0.63	4	9.09	11.81
1 1/2"	3"	3.46	4.33	5.91	0.71	2.88	3.87	4.92	0.63	4	8.11	11.81
	5"	3.46	4.33	5.91	0.71	2.88	3.87	4.92	0.63	4	9.25	11.81
2"	3"	4.02	4.92	6.5	0.71	3.63	4.75	5.91	0.75	4	8.39	13.78
	5"	4.02	4.92	6.5	0.71	3.63	4.75	5.91	0.75	4	9.53	13.78
2 1/2"	3"	4.8	5.71	7.28	0.71	4.13	5.5	7.09	0.75	4	9.25	15.75
	5"	4.8	5.71	7.28	0.71	4.13	5.5	7.09	0.75	4	10.31	15.75

# Angle Seat Valve 7031

## Temperature versions



Version	Description	Fluid temperature	Ambient temperature
2	Standard - Stainless steel	-22°F up to +338°F	+5°F up to +140°F
3	HT220 - version, only with PEEK seating seal	+320°F up to +428°F	+5°F up to +212°F
4	High temperature version in stainless steel	-22°F up to +392°F	+5°F up to +50°F
7	Low temperature version acc. to drawing R0194 for stainless steel body	-58°F up to +275°F	+5°F up to +140°F
8	Low temperature version acc. to drawing R0188 for stainless steel body		-40°F up to +140°F
10	Low temperature version for stainless steel body	-40°F up to +338°F	+5°F up to +140°F
12	Bonnet for actuator made of polymer for stainless steel body	-22°F up to +275°F	+5°F up to +140°F
14	Low temperature version with bonnet for actuator made of polymer and stainless steel body	-40°F up to +275°F	+5°F up to +140°F
16	Long head section (without bellows)	-94°F up to +392°F	+5°F up to +140°F
17	Long head section with bellows	-148°F up to +392°F	+5°F up to +140°F
19	Standard, stainless steel with seals from NBR	-22°F up to +338°F	-22°F up to +140°F
21	Low temperature version, seating seal made of NBR and stainless steel body	-40°F up to +338°F	-22°F up to +140°F
22	Diaphragm actuator D250	-22°F up to +392°F	-22°F up to +140°F
23	Low temperature version for diaphragm actuator D250	-40°F up to +392°F	-22°F up to +140°F