

Globe Control Valve 7027

with integrated positioner

1/2" to 2" - 580 psi

Pneumatically operated globe valve for the control of neutral through to aggressive media.

- High Kvs-values
- Easy to isolate
- Compact design
- All wetted parts made of stainless steel
- For temperatures from -150°F up to +430°F
- Operating pressures up to 580 psi
- Rotable actuators
- Integrated positioner

Technical information


Body material	Stainless steel CF8M
Nominal sizes	1/2" up to 2"
Connections	Welding ends acc. ISO 1127
Nominal pressure	580 psi
Fluid temperature*	-22°F up to +392°F, opt. -148°F up to +428°F
Ambient temperature	Digital positioner -4 (+14)°F up to +167°F Analog positioner -4°F up to +140°F
Leakage acc. IEC 60534-4	Class VI
Packing leakage	ISO FE BH-CC3-SSA1-t(-22°F, +176°F) Test pressure 580 psi

*: Please consider further temperature versions and limits in technical bulletin 32



Options:

e.g.

- Optical position indicator
- External I/P-converter Type 8045
- Ex-electropneumatic positioner
( I 2 G EEx ib IIC T6)

Materials

Body	Stainless steel CF8M
Seating seal	PTFE
Bonnet	Brass chrome plated (actuator Ø 2", 3") Aluminium corrosion protected (actuator Ø 5")
Diaphragm actuator	Stainless steel ASTM A313 304
Actuator springs	Stainless steel ASTM A313 302 (actuator Ø 3", diaph. act.) Spring steel wire C, plastic coated (actuator Ø 5")
Packing	PTFE (carbon filled), spring ASTM A313 302
Valve stem	Stainless steel 316 Ti, roller burnished
Position indicator	PA Trogamid (clear)

Positioner

For technical information on our positioners please refer to the corresponding data sheets.

Globe Control Valve 7027



Standard version with integrated positioner

Admissible differential pressure with positioner

Digital positioner

Size	Piston Ø	Spring configuration Number	Pressure psi	Supply pressure range psi
	inch			
1/2"	3"	2	250	60 - 90
3/4"	3"	2	250	60 - 90
1"	3"	1	250	60 - 90
1"	5"	2	250	45 - 90
1"	10"	4	250	45 - 90
1 1/4"	3"	1	145	60 - 90
1 1/4"	5"	2	250	45 - 90
1 1/4"	10"	4	250	45 - 90
1 1/2"	3"	1	85	60 - 90
1 1/2"	5"	3	250	60 - 90
1 1/2"	10"	6	250	45 - 90

Reinforced design:

2"	3"	1	45	60 - 90
2"	5"	3	160	60 - 90
2"	10"	6* (Code T)	175	60 - 90
2"	10"	8	250	60 - 90

* Special springs

Analog positioner

Size	Piston Ø	Spring configuration Number	Pressure psi	Supply pressure range psi
	inch			
1/2"	3"	2	250	60 - 90
3/4"	3"	2	250	60 - 90
1"	3"	1	175	60 - 90
1"	5"	2	250	45 - 90
1"	10"	4	160	40 - 90
1 1/4"	3"	1	100	60 - 90
1 1/4"	5"	2	190	45 - 90
1 1/4"	10"	6	250	40 - 90
1 1/2"	3"	1	60	60 - 90
1 1/2"	5"	3	160	60 - 90
1 1/2"	10"	6* (Code T)	130	40 - 90
1 1/2"	10"	8	220	50 - 90

Reinforced design:

2"	3"	1	30	60 - 90
2"	5"	3	85	60 - 90
2"	10"	6* (Code T)	70	60 - 90
2"	10"	8* (Code W)	130	60 - 90
2"	10"	10* (Code X)	190	60 - 90
2"	10"	12	245	60 - 90

* Special springs

Admissible differential pressure, direct pressure range

Size	Differential pressure (NC) (psi)		Differential pressure (NO) (psi)		Supply air (psi)		Actuator size
	spring range		spring range		spring range		
	3 - 15 psi	6 - 29 psi	3 - 15 psi	6 - 29 psi	3 - 15 psi	6 - 29 psi	
1/2"	250	250	250	250	18	35	10"
3/4"	245	250	250	250	18	35	10"
1"	130	250	175	230	18	35	10"
1 1/4"	75	215	100	200	18	35	10"
1 1/2"	45	145	40	75	18	35	10"
2"	30	90	15	30	18	35	10"

Cvs-Values

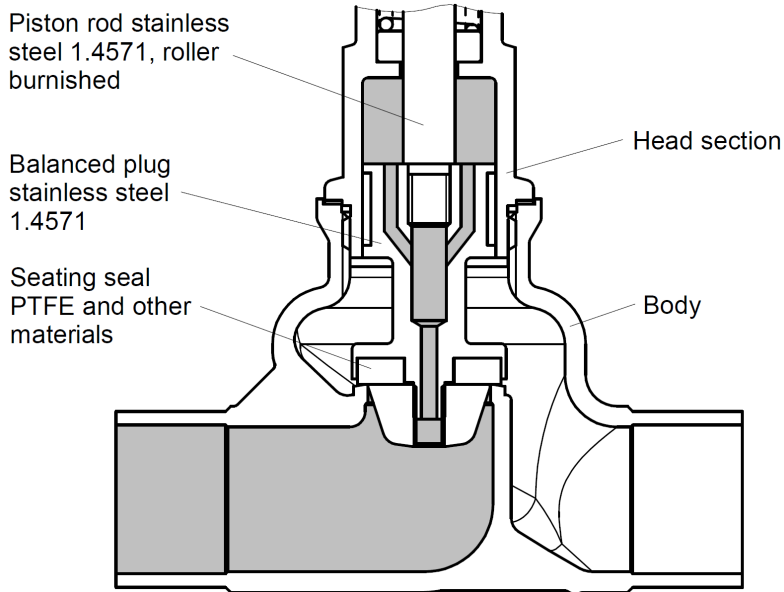
Size	linear						equal percentage					
	1/2"	3/4"	1"	1 1/4"	1 1/2"	2"	1/2"	3/4"	1"	1 1/4"	1 1/2"	2"
100%	5,2	9	13,9	21,8	29,8	38,9	4,2	8,1	14,3	22,9	34,8	40,6
63%	-	-	-	-	-	30,7	-	-	-	-	-	26
40%	2,1	4,9	7,8	11,9	14,5	-	1,9	3,1	6,1	9,9	14,3	-
25%	1,3	3,4	4,4	-	-	-	1,4	2,1	5,7	-	-	-

Globe Control Valve 7027

Pressure balanced version with integrated positioner

Admissible differential pressure with positioner

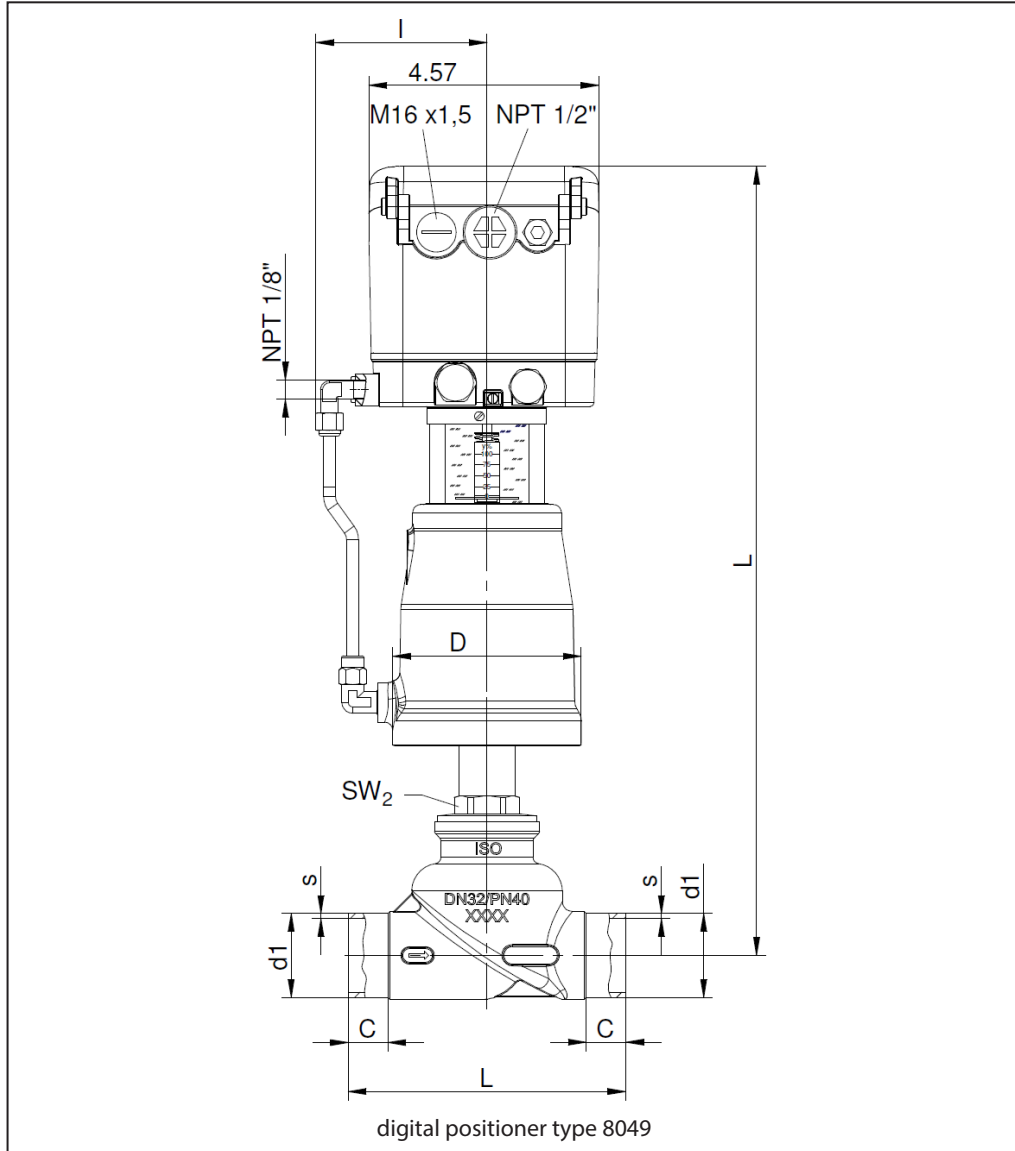
DN	Piston Ø	Spring configuration	Digital positioner 8049		Analog positioner 8047	
			Differential pressure	Supply pressure range	Differential pressure	Supply pressure range
50	3	2	psi	psi	psi	psi
			250	60 - 90	250	60 - 90



Globe Control Valve 7027

Standard version with integrated positioner

Dimensions and weights



Size	Actuator	d1	s	C	D	E	I	L	SW2	Weight (lbs)
1/2"	3"	0.84	0.08	0.79	3.78	14.13	3.15	3.74	1.18	9.7
3/4"	3"	1.06	0.09	0.87	3.78	14.45	3.15	4.33	1.18	9.9
1"	3"	1.33	0.1	0.83	3.78	14.8	3.15	4.72	1.18	10.3
1 1/4"	3"	1.67	0.1	0.79	3.78	15.63	3.15	5.51	1.18	11
1 1/4"	5"	1.67	0.1	0.79	5.75	16.5	4.13	5.51	1.18	16.7
1 1/2"	3"	1.9	0.1	0.87	3.78	15.83	3.15	6.3	1.18	11.7
1 1/2"	5"	1.9	0.1	0.87	5.75	16.73	4.13	6.3	1.18	17.4

Reinforced design:

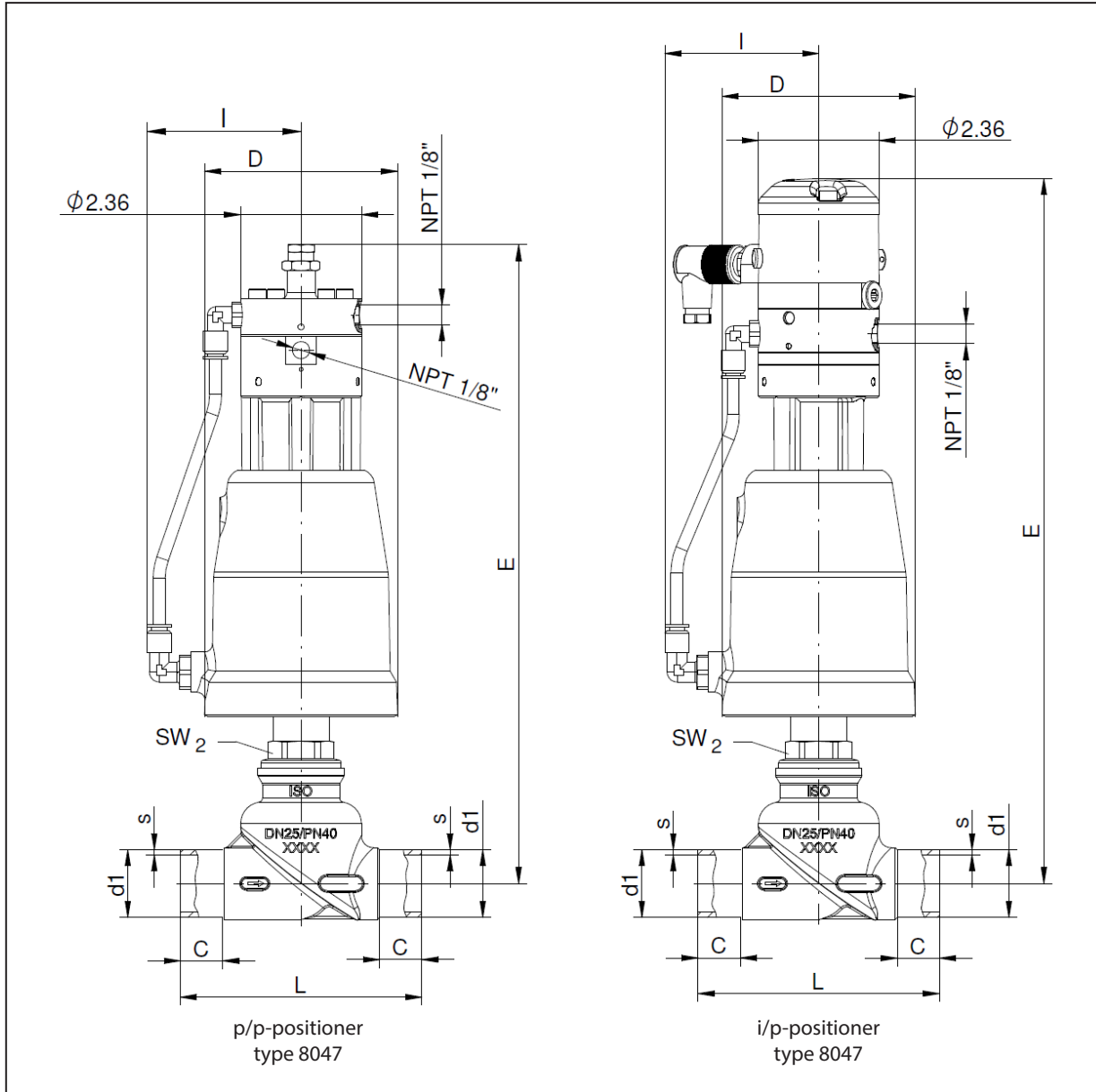
2"	3"	2.37	0.11	1.1	3.78	16.89	3.15	7.48	1.26	13
2"	5"	2.37	0.11	1.1	5.75	17.72	4.13	7.48	1.26	18.7

Globe Control Valve 7027



Standard version with integrated positioner

Dimensions and weights



Size	Actuator	d1	s	C	D	E		I	L	SW2	Weight (lbs)	
						p/p	i/p				p/p	i/p
1/2"	3"	0.84	0.08	0.79	3.78	11.85	13.15	3.03	3.74	1.18	8.1	8.8
3/4"	3"	1.06	0.09	0.87	3.78	12.17	13.46	3.03	4.33	1.18	8.4	9
1"	3"	1.33	0.1	0.83	3.78	12.52	13.82	3.03	4.72	1.18	8.8	9.5
1 1/4"	3"	1.67	0.1	0.79	3.78	13.35	14.65	3.03	5.51	1.18	9.5	10.1
1 1/4"	5"	1.67	0.1	0.79	5.75	14.29	15.51	4.09	5.51	1.18	15.2	15.8
1 1/2"	3"	1.9	0.1	0.87	3.78	13.62	14.92	3.03	6.3	1.18	10.1	10.8
1 1/2"	5"	1.9	0.1	0.87	5.75	14.53	15.75	4.09	6.3	1.18	15.8	16.5

Reinforced design:

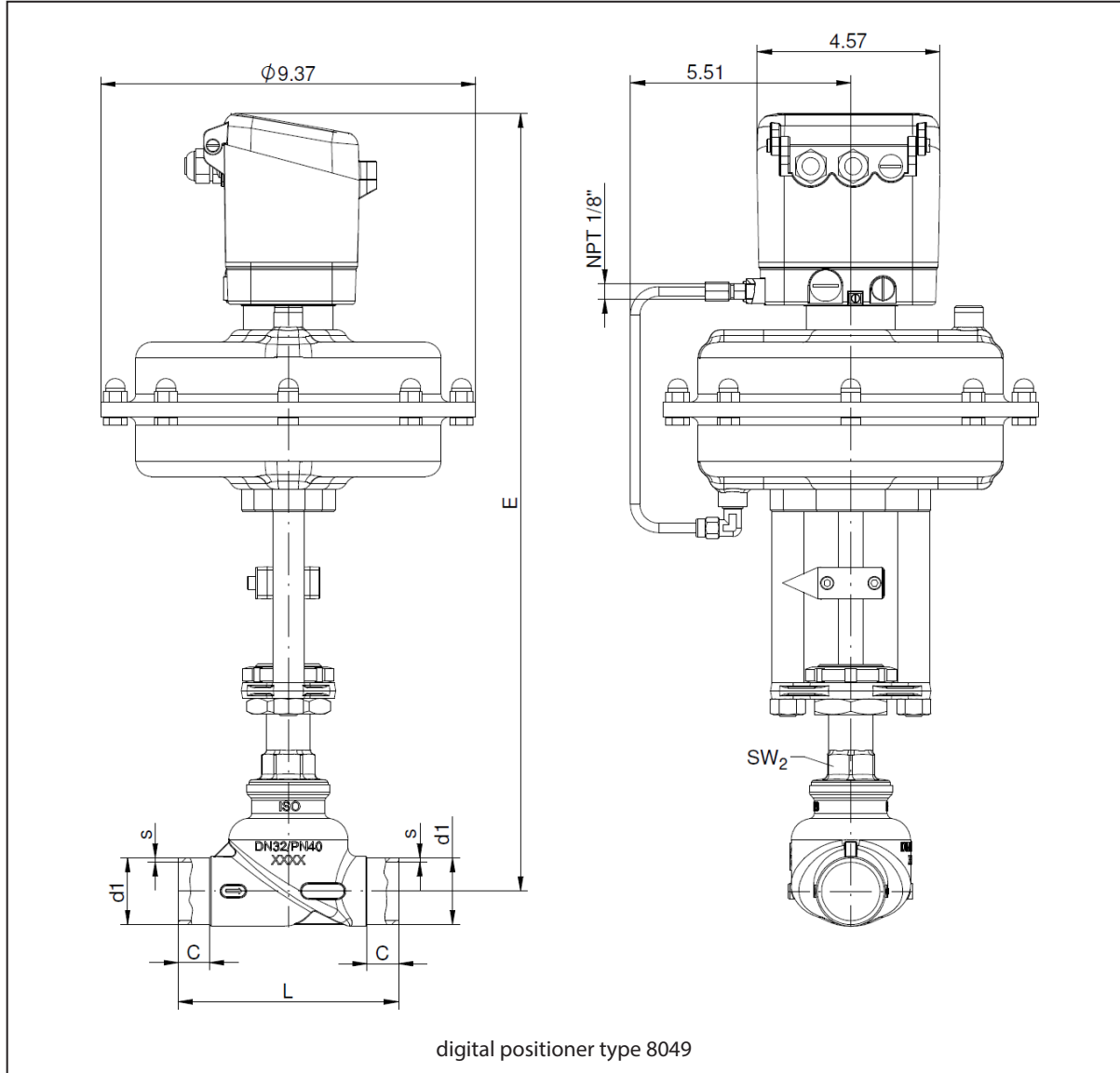
2"	3"	2.37	0.11	1.1	3.78	14.61	15.91	3.03	7.48	1.26	11.7	12.1
2"	5"	2.37	0.11	1.1	5.75	15.51	17.8	4.09	7.48	1.26	17.2	17.8

Globe Control Valve 7027

Standard version with integrated positioner



Dimensions and weights



Size	d1	s	C	E	L	SW2	Weight (lbs)
1/2"	0.84	0.08	0.79	17.95	3.74	1.18	34.3
3/4"	1.06	0.09	0.87	18.27	4.33	1.18	34.5
1"	1.33	0.1	0.83	18.62	4.72	1.18	35
1 1/4"	1.67	0.1	0.79	19.45	5.51	1.18	35.2
1 1/2"	1.9	0.1	0.87	19.72	6.3	1.18	35.6

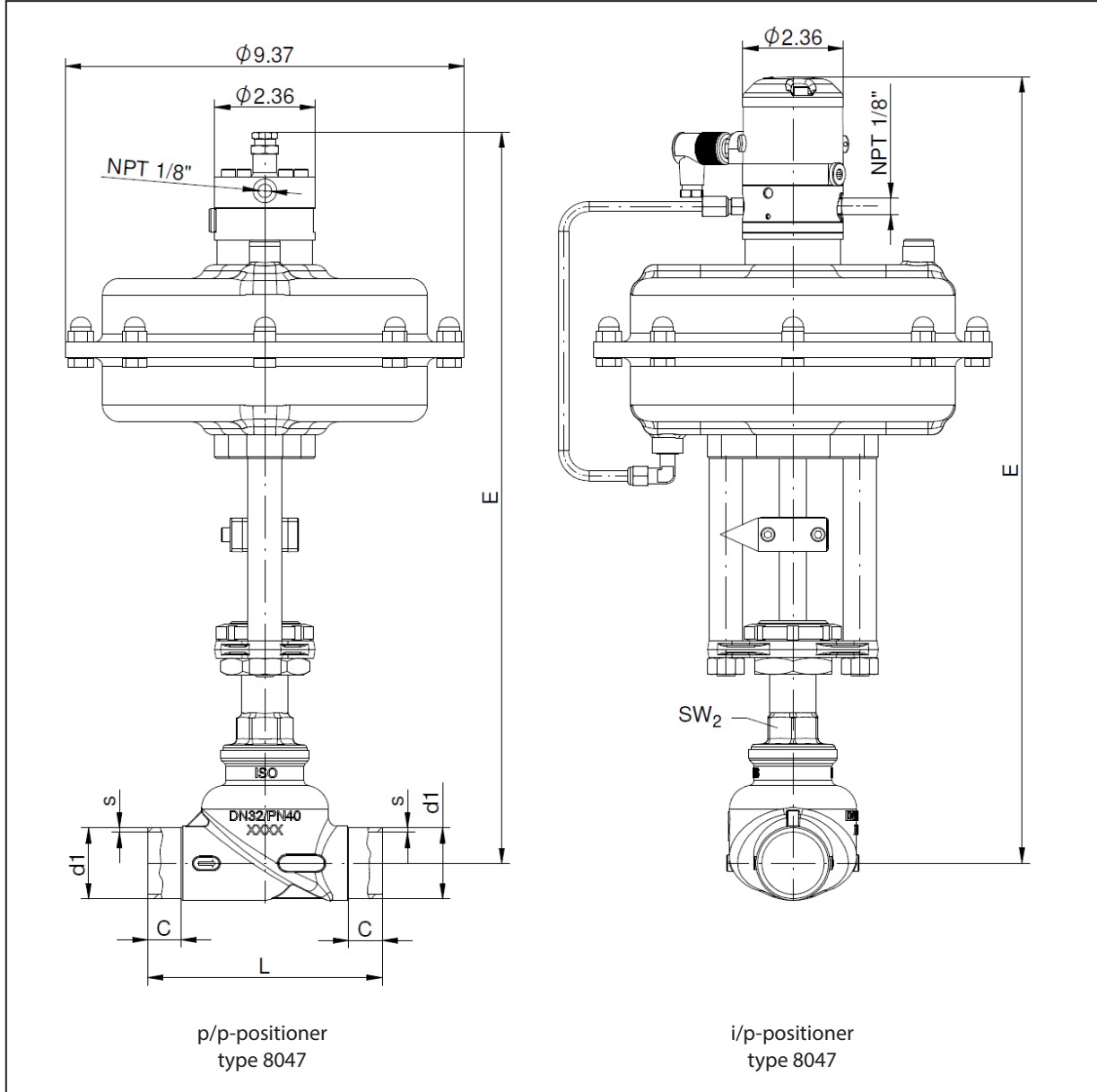
Reinforced design:

2"	2.37	0.11	1.1	20.71	7.48	1.26	36.3
----	------	------	-----	-------	------	------	------

Globe Control Valve 7027

Standard version with integrated positioner

Dimensions and weights



Size	d1	s	C	E		L	SW2	Weight (lbs)	
				p/p	i/p			p/p	i/p
1/2"	0.84	0.08	0.79	15.67	16.97	3.74	1.18	32.8	33.4
3/4"	1.06	0.09	0.87	15.98	17.28	4.33	1.18	33	33.7
1"	1.33	0.1	0.83	16.34	17.64	4.72	1.18	33.4	34.1
1 1/4"	1.67	0.1	0.79	17.17	18.46	5.51	1.18	33.7	34.3
1 1/2"	1.9	0.1	0.87	17.44	18.74	6.3	1.18	34.1	34.8

Reinforced design:

2"	2.37	0.11	1.1	18.43	19.72	7.48	1.26	34.8	35.4
----	------	------	-----	-------	-------	------	------	------	------