

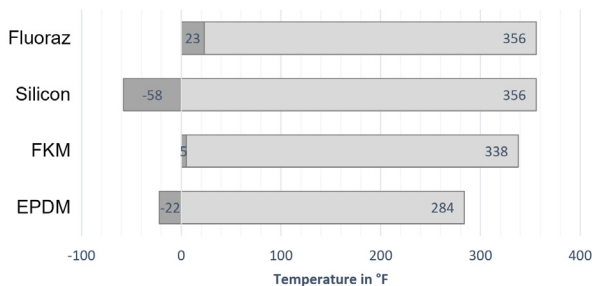
1/2" up to 2" - 360 psi

Pneumatically operated hygienic angle seat valve for the control of neutral, slightly aggressive and highly aggressive media

- Compact design
- Unaffected by lightly contaminated media
- For temperatures from -58°F up to +392°F
- Working pressure up to 360 psi
- Actuator can be rotated
- Versatile customer specific options
- Avoiding of wake spaces
- Easy to clean



Temperature limits stem sealing



Technical Information

Nominal sizes	DN 15 up to DN 50	
Body material	stainless steel 1.4408(CF8M), in hygienic design: wetted parts Ra< 0.8 µm	
Connection	Welding ends acc. DIN (DIN 11850 series 2, DIN 11866 series A, EN 10357 series A) Welding ends acc. ISO (DIN EN ISO 1127, DIN 11866 series B, EN 10357 series C) Welding ends acc. ASME BPE (ASME BPE, DIN 11866 series C) Tri-Clamp-Connection acc. DIN, ISO or inch (DIN 32676 series A,B or C; max. operating pressure 230 psi)	
Nominal pressure	PN 40	
	Max. fluid temperature *	Ambient temperature *
with metal bonnet	-22°F up to +284°F (optionally -58°F up to +356°F)	-5°F up to +140°F (optionally -40°F up to +212°F)
with plastic bonnet		
with diaphragm actuator		
Viscosity of media	maximum 600 mm ² /s (600cSt, 80°E)	
Vakuum	maximum 0,001 bar abs	
Working pressure	limitation for dangerous gases acc. Pressure equipment directive 2014/68/EU (category I): PS x DN < 1000	
Leakage acc. EN 12266-1	leakage class A	
Specific leakage rate shaft and body sealing for head section with O-ring sealing	FKM: ISO FE-BH-CO3-SSA0-t(-15°C / +170 °C)-PN40-ISO 15848-1 EPDM: ISO FE-BH-CO3-SSA0-t(-30°C / +140 °C)-PN40-ISO 15848-1	

* Other temperature versions available on request

Options and accessories

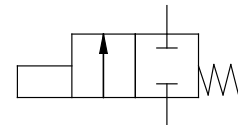
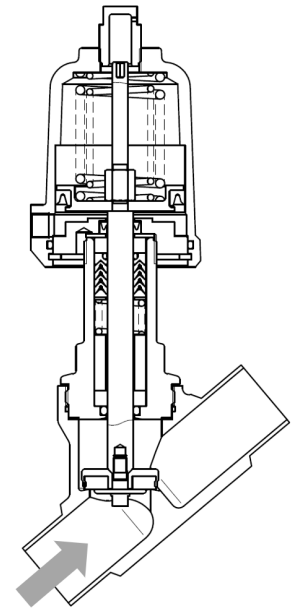
- Stroke limitation
- Manual emergency operation
- El. position indicator with inductive or mechanical limit switches
- Solenoid valves
- AS-I control head
- Oil- and greasefree version, siliconfree version
- Versions for oxygen or ozon applications
- FDA-compliant version
- Version acc. regulation (EG) 1935/2004
- Feedback unit for inductive limit switches
- ...

Hygienic Angle Seat Valve 7015

Pilot and operating pressures

Function „spring closes“, closing against flow

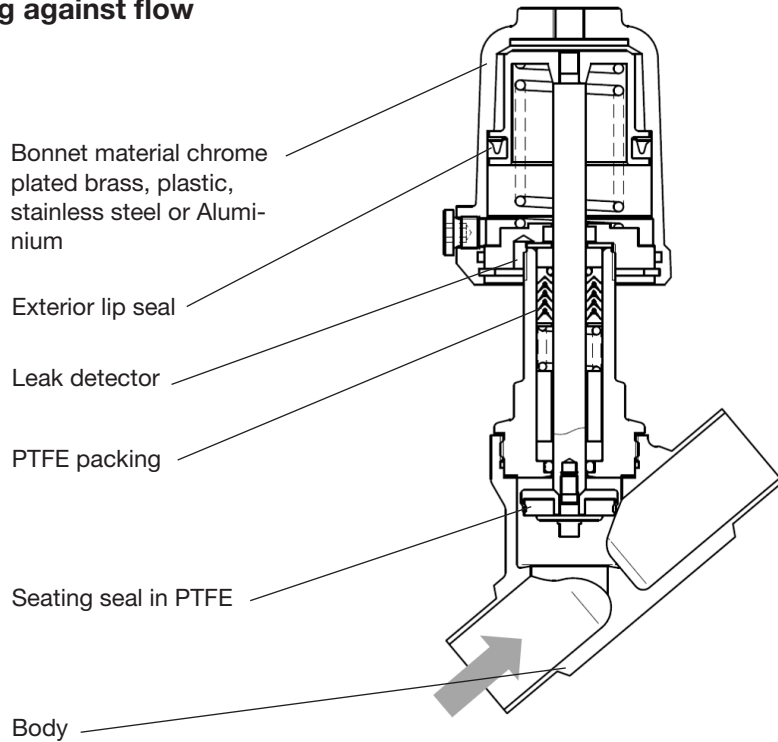
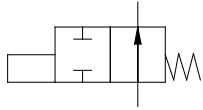
Nominal size	Version	Actuator	Springs	Max. differential pressure [psi]	Pilot pressure [psi]		
1/2"	Standard	2"	1	250	51 - 145		
			2	360	66 - 145		
			3	360	83 - 145		
		3"	1	360	51 - 145		
3/4"	Standard	2"	1	54	51 - 145		
			2	135	66 - 145		
			3	225	83 - 145		
		3"	1	360	51 - 145		
			2	360	64 - 145		
			3	360	82 - 145		
1"	Standard	2"	2	47	66 - 145		
			3	96	83 - 145		
			1	285	51 - 145		
		3"	2	360	64 - 145		
			3	360	82 - 145		
			1	240	19 - 145		
		5"	2	360	32 - 145		
			3	360	45 - 145		
			2"	2	16	66 - 145	
1 1/4"	Standard	2"	3	46	83 - 145		
			1	150	51 - 145		
			2	220	64 - 145		
		3"	3	295	82 - 145		
			1	125	19 - 145		
			2	315	32 - 145		
		5"	3	360	45 - 145		
			4	360	58 - 145		
			8	360	40 - 87		
		1 1/2"	Standard	2"	3	24	83 - 145
					1	90	51 - 145
					2	135	64 - 145
3"	3			12,5	82 - 145		
	1			100	19 - 145		
	2			220	32 - 145		
5"	3			315	45 - 145		
	4			360	58 - 145		
	8			360	40 - 87		
2"	Standard	3"	1	40	51 - 145		
			2	67	64 - 145		
			3	95	82 - 145		
		5"	1	36	19 - 145		
			2	110	32 - 145		
			3	160	45 - 145		
			4	175	58 - 145		
			8	265	40 - 87		
		10"	10	325	40 - 87		
			12	360	40 - 87		



= Standard spring configuration

Pilot and operating pressures

Function „spring opens“, closing against flow



Nominal size	Version	Actuator ϕ	Max. differential pressure [psi] at available pilot pressure [psi]												
			20	30	40	50	60	70	80	90	100	110	120	130	140
1/2"	Standard	2"	0	0	47	185	325	360	360	-	-	-	-	-	-
		3"	310	360	-	-	-	-	-	-	-	-	-	-	-
3/4"	Standard	2"	0	0	0	54	120	190	260	330	360	360	-	-	-
		3"	115	360	360	-	-	-	-	-	-	-	-	-	-
1"	Standard	2"	0	0	0	15	56	97	135	180	220	260	300	345	360
		3"	53	160	270	360	360	-	-	-	-	-	-	-	-
1 1/4"	Standard	2"	0	0	0	2	28	54	79	105	130	155	180	205	230
		3"	21	89	155	220	290	355	360	360	-	-	-	-	-
		5"	205	360	-	-	-	-	-	-	-	-	-	-	-
1 1/2"	Standard	2"	0	0	0	0	16	33	51	69	87	105	120	140	155
		3"	8	55	100	145	195	240	290	335	360	-	-	-	-
		5"	135	250	360	-	-	-	-	-	-	-	-	-	-
2"	d16	2"	0	0	0	0	6	18	30	41	52	64	76	87	99
		3"	0	27	58	88	115	145	175	205	235	270	300	330	360
		5"	79	150	225	300	360	-	-	-	-	-	-	-	-

d16: reinforced design with 16mm (0.63") piston rod

Actuator D50: max. pilot pressure 1 bar above the required pilot pressure

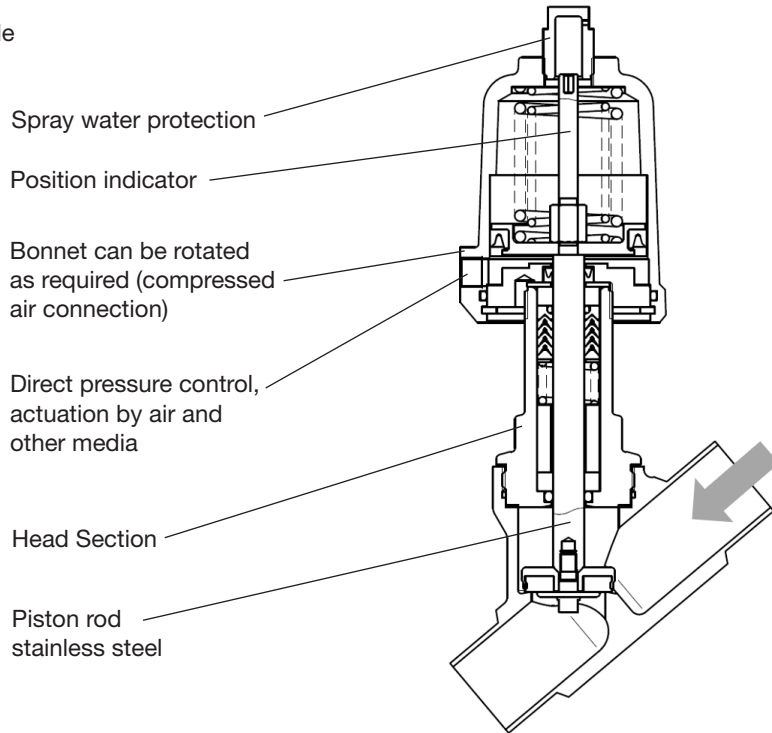
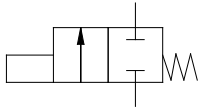
Actuator D80: max. pilot pressure 0,8 bar above the required pilot pressure

Actuator D125 and D250: max. pilot pressure 0,5 bar above the required pilot pressure

Pilot and operating pressures

Function „spring closes“, closing with flow

- Angled seat valve closing with the flow, spring closes
- Use preferably for gaseous fluids
- With liquids waterhammers are possible



Nominal Size	Version	Actuator	Springs	Max. differential pressure [psi] at available pilot pressure [psi]												
				20	30	40	50	60	70	80	90	100	110	120	130	140
1/2"	Standard	2"	Standard	0	0	195	360	360	360	360	360	360	360	360	360	360
3/4"	Standard	2"	Standard	0	0	92	185	285	360	360	360	360	360	360	360	360
		3"	Standard	145	360	360	360	360	360	360	360	360	360	360	360	
1"	Standard	2"	Standard	0	0	58	105	155	205	255	305	355	360	360	360	360
		3"	Standard	80	210	340	360	360	360	360	360	360	360	360	360	360
1 1/4"	Standard	2"	Standard	0	0	34	62	91	120	145	175	205	230	260	275	275
		3"	Standard	49	120	200	275	350	360	360	360	360	360	360	360	360
		5"	Standard	250	360	360	360	360	360	360	360	360	360	360	360	360
1 1/2"	Standard	2"	Standard	0	0	34	62	91	120	145	175	205	230	260	275	275
		3"	Standard	0	43	94	140	195	245	295	330	330	330	330	330	330
		5"	Standard	70	195	320	330	330	330	330	330	330	330	330	330	330
2"	d16	3"	Standard	0	33	65	97	125	160	190	215	215	215	215	215	215
		5"	Standard	50	125	205	215	215	215	215	215	215	215	215	215	215

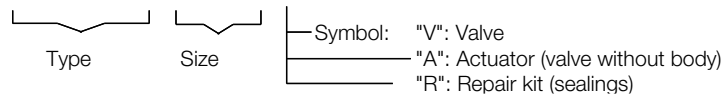
d16: reinforced design with 16mm (0.63") piston rod

Hygienic Angle Seat Valve 7015



Ordering Number System

7	0	1	5	/			V	6								S
---	---	---	---	---	--	--	---	---	--	--	--	--	--	--	--	---



1 - 6 : Please quote all 6 sections.
 7 - 14: Quote only if required.

1.	Body type	2.	Connection	3.	Body materials	4.	Seat materials	5.	Pilot function	6.	Actuator, Ø	7.	Springs
6	angle bodied hygiene seat valve	D	with welding ends acc. DIN (DIN 11866 series A)	2	Stainless steel 1.4408 (CF8M) in hygienic design - wetted parts Ra < 0,8µm	0	PTFE (FDA, EC-Regulation 1935/2004)	0	NC (closing with flow)	7	Piston 2" (NPT)	-	Standard
		E	with welding ends acc. ASME BPE (DIN 11866 Series C)	3	Stainless steel 1.4408 (CF8M)	1	FKM	1	NO (closing against flow)	8	Piston 3" (NPT)	1	1 spring
		H	with welding ends acc. ISO (DIN 11866 series B)			2	EPDM	2	NC (closing against flow)	9	Piston 5" (NPT)	2	2 springs
		K	Tri-Clamp-connection acc. ISO (DIN 32676 series B)			3	Universal, double acting	5	Manually operated (handwheel) diaphragm	T	6 springs (D250)		
		N	Tri-Clamp-connection acc. DIN (DIN 32676 series A)					D	actuator 10" (NPT)	W	8 springs (D250) (Standard)		
Z	Tri-Clamp connection acc. inch (DIN 32676 series C)	H	GS manual activation for seat valves	X	10 springs (D250)	Y	12 springs (D250)						

8.	Head section material	9.	Stem sealing	10.	Temperature version	11.	Accessories	12.	Other special versions	13.	Body	14.	Head section
-	Stainless steel - wetted parts Ra < 0,8µm 1.4408 (CF8M)	-	Standard - o-ring in EPDM -22 up to +284°F (FDA, EC-Regulation 1935/2004)	-	Standard, fluid temperature -22°F to +356°F, ambient temperature +5°F to +140°F, with H1 approval	-	No accessories	S	If after inquiries, other special versions are agreed upon insert „S“ here!	-	Standard	-	Standard head section seal Klingersil Top-chem-2000
		1	O-ring in FKM +5 up to +338°F (FDA, EC-Regulation 1935/2004)	H	high temperature version with exterior lip seal in FKM, -22°F to +356°F fluid temperature, +5 up to +212°F ambient temperature, with H1 approval	1	Electrical position indicator with one switch	M	Position indicator with cable bushing			1	Head section with o-ring sealing
		2	O-ring in silicon -58 up to +356°F (FDA)			2	As above but with two switches	N	Position indicator with plug connection			2	Head section with o-ring sealing. TA - Luft certified version. Material: See stem seal selection
		4	O-ring in fluoraz +23 up to +356°F (FDA)	U	for low temperature applications -58°F to +356°F fluid temperature, -22°F to +140°F ambient temperature	3	Manual emergency operation						
				W	for low temperature applications -58°F to +356°F fluid temperature, -40°F to +140°F ambient temperature	4	Additional manual operation						
						5	Stroke limitation						
						6	Pilot valve DN 2, 230 V AC						
						7	Pilot valve DN 2, 24 V DC						
						K	Electr. position indicator compact						
						M	Position indicator with two ind. Switch 10 - 36 V DC (PNP)						
						P	Position indicator with one ind. Switch 10 - 36 V DC (PNP)						

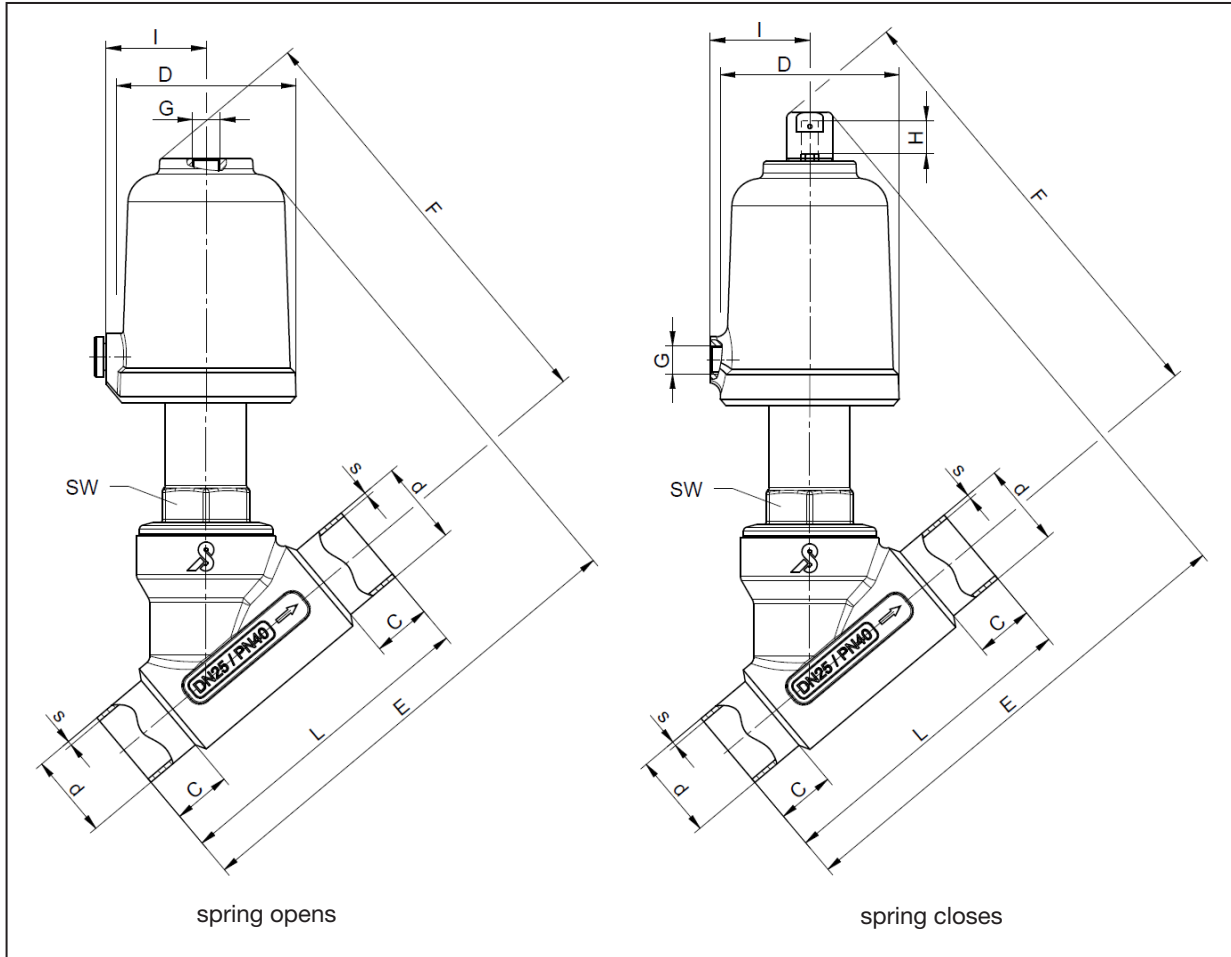
Ordering example: 7015/025V6D2028----7
 Hygienic angle seat valve type 7015, size 1", with welding ends acc. DIN (DIN 11866 series A), body material stainless steel 1.4408 (CF8M) in hygienic version - wetted parts Ra < 0,8 µm, seating seal PTFE, pilot function NC (closing against flow), piston actuator 3" (NPT), standard spring configuration (2 springs), stem seal standard O-ring made of EPDM -22°F to +284°F (FDA, EC regulation 1935/2004), temperature version standard, media temperature -22°F to 356°F (observe temperature limits of stem seal), ambient temperature +5°F to 140°F, with H1 approval, pilot valve DN2, 24V DC

Hygienic Angle Seat Valve 7015



Standard design

Dimensions and weights



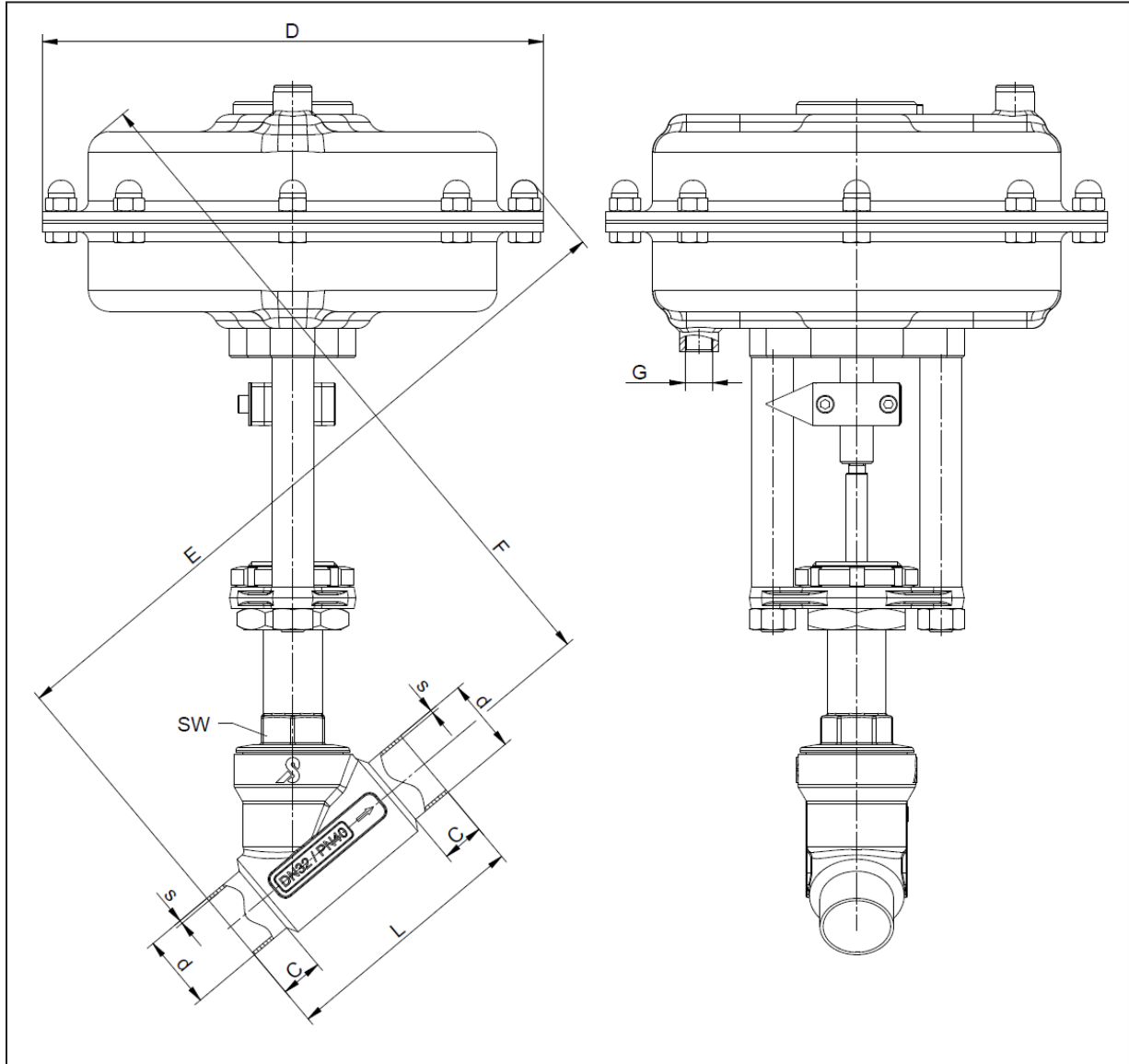
Size	Actuator	Welding ends acc DIN				Welding ends acc ISO				Welding ends acc ASME BPE				D	E	F	G	H (stroke)	I	SW	Weight (lbs)
		d1	s	C	L	d1	s	C	L	d1	s	C	L								
1/2"	2"	0.75	0.06	0.79	3.54	0.84	0.06	0.79	3.54	0.5	0.06	0.79	3.54	2.44	6.1	5.75	NPT 1/8"	0.28	1.36	1.18	2.43
3/4"	2"	0.91	0.06	0.79	3.94	1.06	0.06	0.79	3.94	0.75	0.06	0.79	3.94	2.44	6.38	5.94	NPT 1/8"	0.47	1.36	1.18	2.65
1"	2"	1.14	0.06	0.79	4.33	1.33	0.08	0.79	4.33	1	0.06	0.79	4.33	2.44	6.69	6.14	NPT 1/8"	0.63	1.36	1.18	3.09
	3"	1.14	0.06	0.79	4.33	1.33	0.08	0.79	4.33	1	0.06	0.79	4.33	3.78	8.27	7.91	NPT 1/4"	0.63	2.17	1.18	6.61
1 1/4"	2"	1.38	0.06	0.79	4.72	1.67	0.08	0.79	4.72	-	-	-	-	2.44	7.28	6.81	NPT 1/8"	0.63	1.36	1.18	3.97
	3"	1.38	0.06	0.79	4.72	1.67	0.08	0.79	4.72	-	-	-	-	3.78	8.86	8.58	NPT 1/4"	0.79	2.17	1.18	7.28
	5"	1.38	0.06	0.79	4.72	1.67	0.08	0.79	4.72	-	-	-	-	5.75	10.04	9.76	NPT 1/4"	0.79	3.15	1.18	12.13
1 1/2"	2"	1.61	0.06	0.98	5.51	1.9	0.08	0.98	5.51	1.5	0.06	0.98	5.51	2.44	7.6	6.89	NPT 1/8"	0.63	1.36	1.18	4.63
	3"	1.61	0.06	0.98	5.51	1.9	0.08	0.98	5.51	1.5	0.06	0.98	5.51	3.78	9.17	8.66	NPT 1/4"	0.91	2.17	1.18	7.94
	5"	1.61	0.06	0.98	5.51	1.9	0.08	0.98	5.51	1.5	0.06	0.98	5.51	5.75	10.35	9.84	NPT 1/4"	0.91	3.15	1.18	12.79
2"	3"	2.09	0.06	0.98	6.3	2.37	0.08	0.98	6.3	2	0.06	0.98	6.3	3.78	10.2	9.53	NPT 1/4"	1.14	2.17	1.42	10.36
	5"	2.09	0.06	0.98	6.3	2.37	0.08	0.98	6.3	2	0.06	0.98	6.3	5.75	11.38	10.71	NPT 1/4"	1.14	3.15	1.42	15.21

Dimensions in inch

Hygienic Angle Seat Valve 7015

Version with diaphragm actuator

Dimensions and weights



Size	Actuator	Welding ends acc DIN				Welding ends acc ISO				Welding ends acc ASME BPE				D	E	F	G	H (stroke)	I	SW	Weight (lbs)
		d1	s	C	L	d1	s	C	L	d1	s	C	L								
1 1/4"	10"	1.38	0.06	0.79	4.72	1.67	0.08	0.79	4.72	-	-	-	-	9.37	13.27	12.95	NPT 1/4"	0.79	3.15	1.18	25.79
1 1/2"	10"	1.61	0.06	0.98	5.51	1.9	0.08	0.98	5.51	1.5	0.06	0.98	5.51	9.37	13.7	13.15	NPT 1/4"	0.91	3.15	1.18	26.68
2"	10"	2.09	0.06	0.98	6.3	2.37	0.08	0.98	6.3	2	0.06	0.98	6.3	9.37	14.72	14.02	NPT 1/4"	1.14	3.15	1.42	28.44

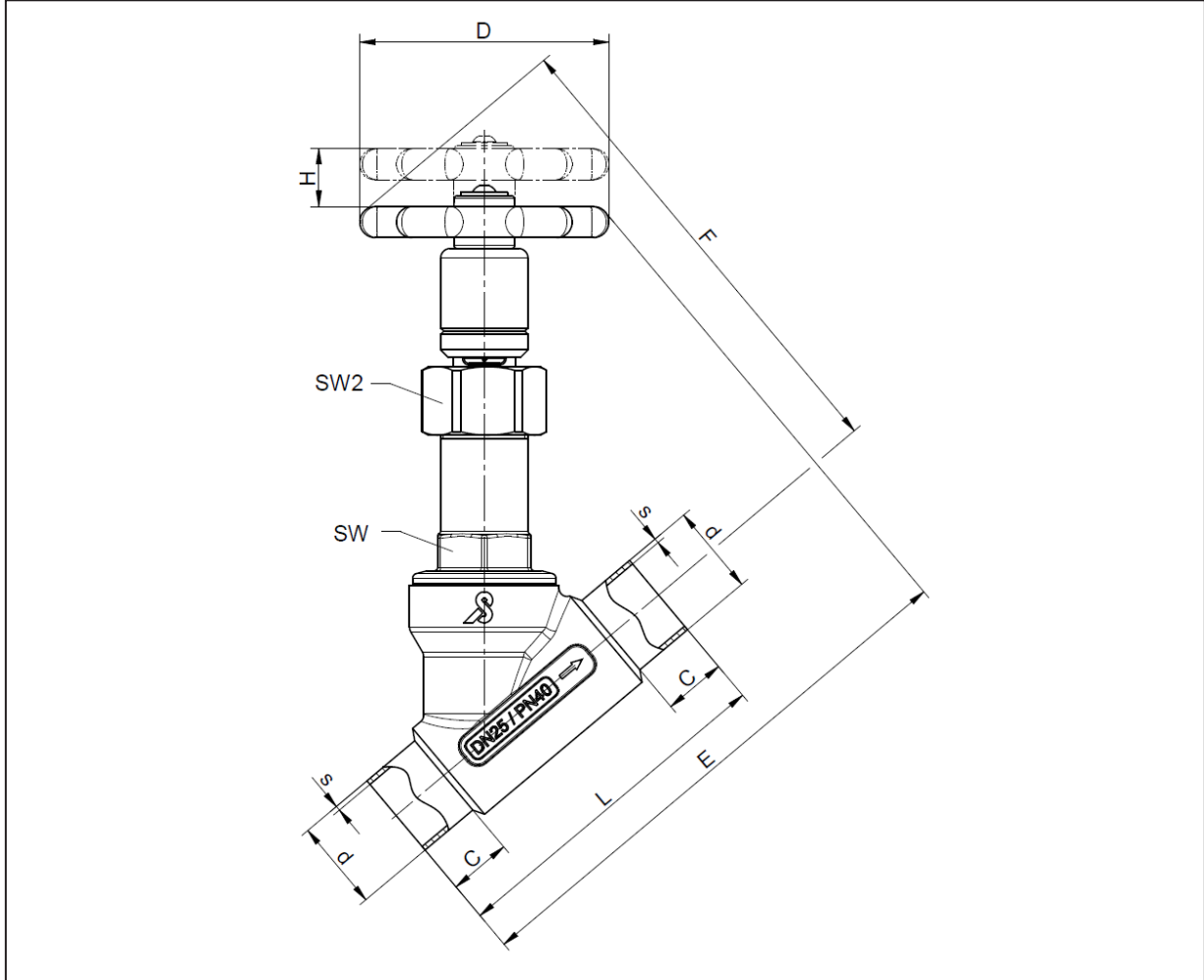
Dimensions in inch

Hygienic Angle Seat Valve 7015

Manually operated version



Dimensions and weights



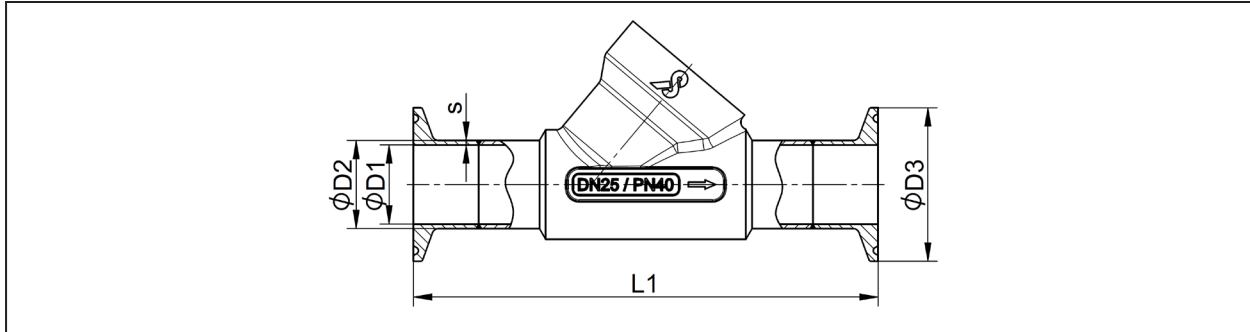
Size	Welding ends acc DIN				Welding ends acc ISO				Welding ends acc ASME BPE				D	E	F	H (stroke)	SW	SW2	Weight (lbs)
	d1	s	C	L	d1	s	C	L	d1	s	C	L							
1/2"	0.75	0.06	0.79	3.54	0.84	0.06	0.79	3.54	0.5	0.06	0.79	3.54	3.15	6.61	6.02	0.31	1.18	1.42	2.43
3/4"	0.91	0.06	0.79	3.94	1.06	0.06	0.79	3.94	0.75	0.06	0.79	3.94	3.15	6.77	6.06	0.47	1.18	1.42	2.65
1"	1.14	0.06	0.79	4.33	1.33	0.08	0.79	4.33	1	0.06	0.79	4.33	3.15	6.93	6.14	0.63	1.18	1.42	3.09
1 1/4"	1.38	0.06	0.79	4.72	1.67	0.08	0.79	4.72	-	-	-	-	3.15	7.56	6.77	0.79	1.18	1.42	3.97
1 1/2"	1.61	0.06	0.98	5.51	1.9	0.08	0.98	5.51	1.5	0.06	0.98	5.51	3.15	7.87	6.89	0.91	1.18	1.42	4.63
2"	2.09	0.06	0.98	6.3	2.37	0.08	0.98	6.3	2	0.06	0.98	6.3	3.15	8.9	7.72	1.1	1.42	1.42	6.39

Dimensions in inch

Hygienic Angle Seat Valve 7015

Body with clamp connection

Dimensions



DN	Clamp-connection acc. DIN					Clamp-connection acc. ISO				
	Code: „N“					Code: „K“				
	L1	D1	D2	s	D3	L1	D1	D2	s	D3
1/2" (15)	4.96	0.63	0.75	0.06	1.34	4.57	0.71	0.84	0.06	1.34
3/4" (20)	5.35	0.79	0.91	0.06	1.34	5.24	0.93	1.06	0.06	1.99
1" (25)	6.02	1.02	1.14	0.06	1.99	5.63	1.17	1.33	0.08	1.99
1 1/4" (32)	6.42	1.26	1.38	0.06	1.99	6.02	1.51	1.67	0.08	1.99
1 1/2" (40)	7.20	1.5	1.61	0.06	1.99	6.42	1.74	1.90	0.08	2.52
2" (50)	7.99	1.97	2.09	0.06	2.52	8.11	2.22	2.37	0.08	3.05

Dimensions in inch

DN	Clamp-connection acc. Inch				
	Code: „Z“				
	L1	D1	D2	s	D3
1/2" (15)	4.54	0.37	0.50	0.65	0.98
3/4" (20)	4.94	0.62	0.75	0.65	0.98
1" (25)	6.02	0.87	1	0.65	1.99
1 1/4" (32)	-	-	-	-	-
1 1/2" (40)	7.20	1.37	1.5	0.65	1.99
2" (50)	7.99	1.87	2	0.65	2.52

Dimensions in inch

Cvs-values

Nominal size	Actuator	with welding ends acc. DIN or ISO	with welding ends acc. ASME BPE
1/2"	2"	3.71	1.97
3/4"	2"	9.86	7.31
1"	2" / 3"	16.24	15.08
1 1/4"	2"	20.88	-
1 1/4"	3" / 5"	24.36	-
1 1/2"	2"	30.16	30.16
1 1/2"	3" / 5"	35.96	37.12
2"	2"	41.76	41.76
2"	3" / 5"	51.04	53.36