

Digital position indicator Type 2040

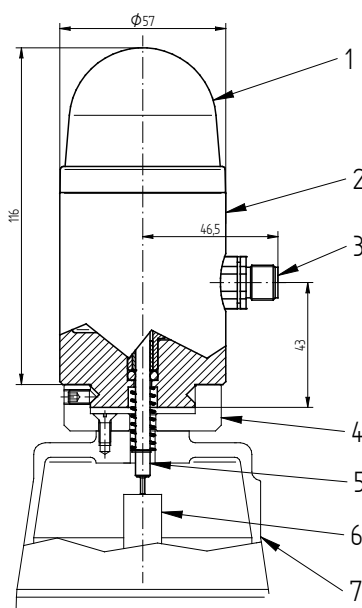
Optical and electronic position indicator for mounting on pneumatic valves with linear or part-turn actuator.

- Compact design
- Visual display of valve position
- Valve position output via switching contacts
- Error message output
- Display and output of maintenance intervals
- Direct mounting on valve actuator
- Self-teaching adaptation to valve actuator
- Configuration and diagnostics using „DeviceConfig“ PC software (version 7.02.00 or higher)
- Schutzart: IP 65



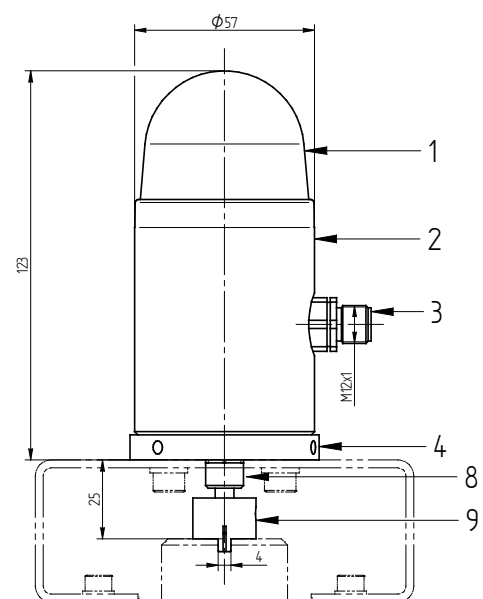
Technical data

Supply voltage	24V DC ($\pm 10\%$)
Current consumption	max. 100mA
Current capacity of switching outputs	max. 100mA
Temperature range	-20 to +75°C
Configuration	Using "DeviceConfig" PC software
Adaptation	Self-teaching (semi-automatic)
Stroke range	6 – 29 mm
Switching hysteresis	approx.. 2,5%
Mounting on control valve	By standardised mounting kits
Body material	Aluminium, anodized
Material of the dome	Polycarbonate
Protection to DIN 40050	IP65



Version for linear drives

1	Dome
2	Position indicator
3	Connection (M12x1)
4	Mounting kit
5	Sensing pin
6	Stop
7	Actuator
8	Rotation angle indicator
9	Coupling



Version for part-turn actuators

Description

The digital position indicator type 2040 displays the current position of the valve (open or closed) and outputs it via two switching contacts (NPN).

A sensing pin records the stroke of the actuator, which is converted into an analogue signal. The electronic unit evaluates the signal, outputs a visual signal and switches the relevant contact.

The position indicator also indicates various errors, such as sticking of the valve. Errors are indicated by default by a red lamp and are additionally outputted by way of a switching contact (NPN).

Various maintenance intervals can also be set. When a scheduled maintenance time is reached a visual indicator is displayed and the error signalling output (NPN switch) emits a recurring pulsating signal (1Hz).

The adaptation to the valve is semi-automatic, by simply operating the actuator in calibration mode.

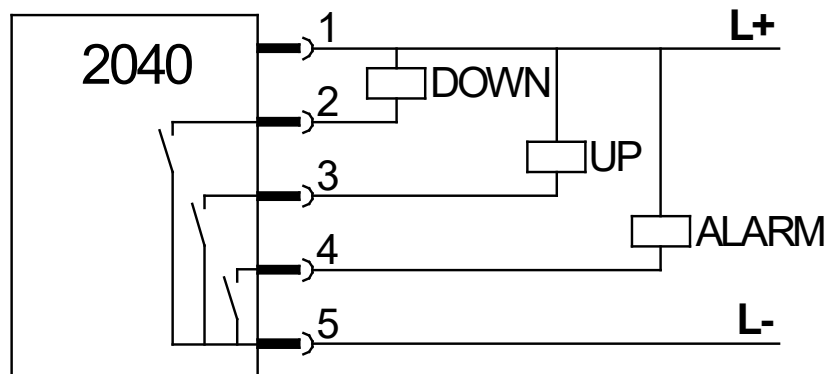
All settings can be custom-configured in the „DeviceConfig“ program.

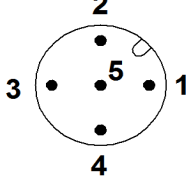
Connection diagram

In the event of inductive loads occurring, install a free-wheeling diode close to the inductive load (e.g. 1N4007). For digital processing of the switching outputs use an operating resistor.

The switching outputs can be reversed in the communications software.

Their maximum current capacity is 100 mA, so relays can also be operated directly for example.



Top view of plug	Pin on plug	Function
	Pin 1	Supply voltage +24V
	Pin 2	NPN_DOWN
	Pin 3	NPN_UP
	Pin 4	NPN_ERROR
	Pin 5	Supply voltage -