

## Compact linear actuator for the installation on valves

- small deadband
- robust aluminum housing
- multiple setting possibilities
- metal coupling
- manual override
- interchangeable with Belimo-actuators with UNV-002 console



## Technical data

Function	Control				On/Off	
Motor type	CA24C	CA260C	CA24C-R	CA260C-R	CA24	CA260
Mains connection	24 V AC/DC	100-240 V AC	24 V AC/DC	100-240 V AC	24 V AC/DC	100-240 V AC
Set point range	(0)2-10 V / (0)4-20 mA				3-point**	
Mains frequency	50/60 Hz				50/60 Hz	
Feedback	(0)2-10 V / (0)4-20 mA				optional	
Dead band	±0.6 % of the entire stroke				-	
Repeatability	±0.3 % of the entire stroke				-	
Limit switch	2				optional	
Potentiometer feedback	-				optional	
Max. switching capacity	24 V AC/DC 200 mA				250 V AC/DC 1 A	
Actuating speed	38.1 / 50.8 / 76.2 s/inch (Standard: 50.8 s/inch)				50.8 or 76.2 s/inch (Standard: 76.2 s/inch)	
Safety functions	Monitoring of tensile force, set point, temperature of the electronics, etc.				Tensile force monitoring	
Diagnostic functions	Storage of motor and total operating time, temperature and directional classes, etc.				-	
Fail Safe position	-	-	freely adjustable		-	
Load	500 Ω for current set point / 95 kΩ for voltage set point				-	
Max. power consumption	13 W	12 W	13 W	12 W	13 W	12 W
Input heating resistor	10 W					
Starting current	6 A	2.5 A	6 A	2.5 A	6 A	2.5 A
Actuating power	180 lbf					
Protection class (EN 60529)	IP 65: Dustproof, protected against water jets from any angle					
Adm. Ambient temperature	14 °F to +140 °F					
Duty cycle	100 %					

\*: for control with volt-signal split range adjustments are possible

\*\* : Minimum on-time 200 ms

## actuator with fail safe position (option)

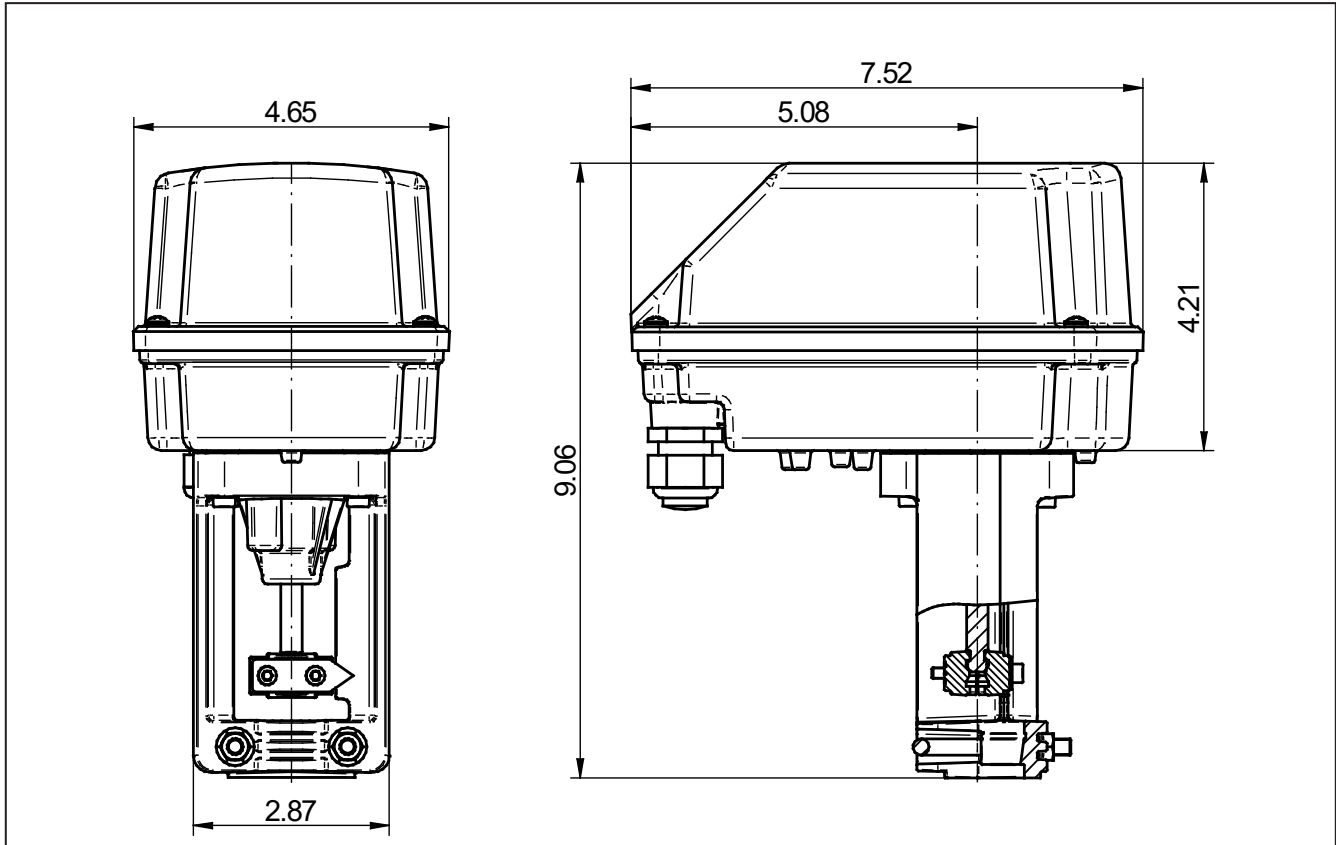
- Safety function at power failure
- Energy supply via power capacitors
- Safety position selectable open, closed or in any valve position
- Automatic monitoring of the state of charge of the capacitors

## Ordering number-system

		item number:										
		2032/										...
Version												
e.g. 010 = Version 1.0		xxx										
Item												
Actuator complete			A									
Model												
0.8 kN-driving force without control electronics (3-point control)			A									
0.8 kN driving force with control electronics			C									
Supply voltage												
100-240 V, 50/60 Hz										0		
24 V AC/DC										1		
Mounting kit												
without mounting kit										0		
Including mounting kit (console) and standard coupling										1		
Fail safe position												
without fail save position										-		
Safety position closed if power fails (valve stem travels out of actuator)										1		
Safety position open if power fails (valve stem travels in to actuator)										2		
Communication												
Standard										-		
Bluetooth auxiliary module										B		
Control signal												
standard, for actuators with position electronics 4-20 mA (4 mA closed, 20 mA open)										-		
0-10 V (0 V closed, 10 V open)										3		
2-10 V (2 V closed, 10 V open)										4		
inverted function, 4-20 mA or 2-10 V, 20 mA (10 V) closed, 4 mA (2 V) open										5		
Control signal adjustment split range -adjustment according to specifications of the customer										8		
Limit switch												
without										-		
Two stroke-dependent limit switches with actuator without control electronics										2		
Stroking speed												
Standard										-		
Adjustments												
Standard										-		
Accessories												
without											-	
heating resistor												H

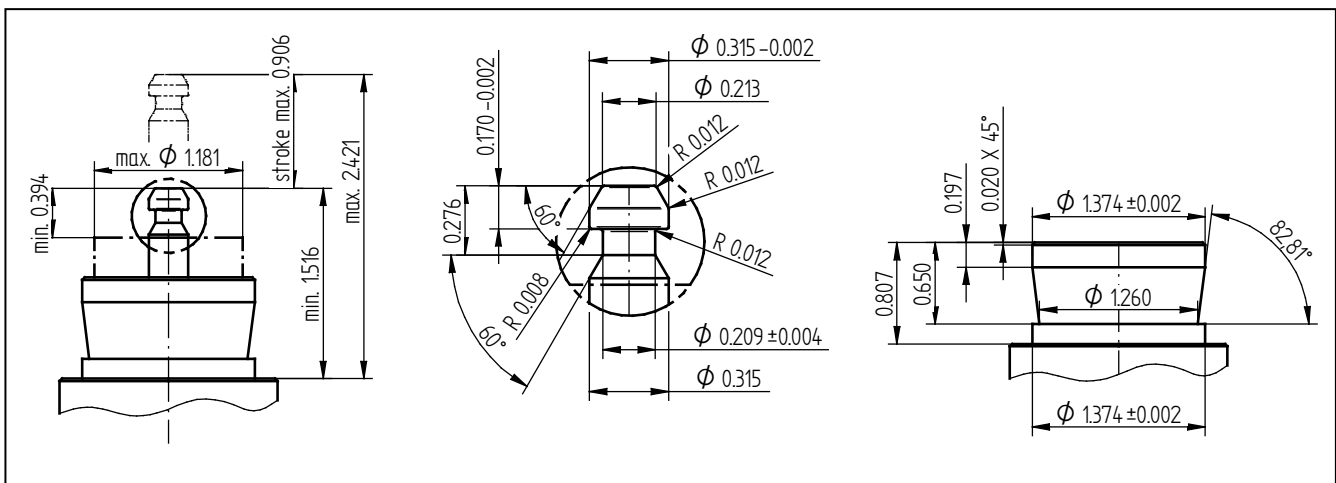
ordering example: 2032/010AC0-1-B  
 Compact motor actuator, version 1.0, actuator 0,8kN, supply voltage 100-240 V 50/60 Hz, without fail save position, with Bluetooth auxiliary module, control signal standard: 4-20 mA

## dimensions and weight



weight = 4.41 lbs

## dimensions for mounting on a valve



dimensions in inch