

Compact linear actuator for the installation on valves

- small deadband
- robust aluminium housing
- multiple setting possibilities
- metal coupling
- manual override
- interchangeable with Belimo-actuators with UNV-002 console



Technical data

Function	Control				On/Off	
	CA24C	CA260C	CA24C-R	CA260C-R	CA24	CA260
Mains connection	24 V AC/DC	100-240 V AC	24 V AC/DC	100-240 V AC	24 V AC/DC	100-240 V AC
Set point range	(0)2-10 V / (0)4-20 mA				3-point**	
Mains frequency	50/60 Hz				50/60 Hz	
Feedback	(0)2-10 V / (0)4-20 mA				optional	
Dead band	±0.6 % of the entire stroke				-	
Repeatability	±0.3 % of the entire stroke				-	
Limit switch	2				optional	
Potentiometer feedback	-				optional	
Max. switching capacity	24 V AC/DC 200 mA				250 V AC/DC 1 A	
Actuating speed	1.5 / 2 / 3 s/mm (Standard: 2 s/mm)				2 or 3 s/mm (Standard: 3 s/mm)	
Safety functions	Monitoring of tensile force, set point, temperature of the electronics, etc.				Tensile force monitoring	
Diagnostic functions	Storage of motor and total operating time, temperature and directional classes, etc.				-	
Fail Safe position	-	-	freely adjustable		-	
Load	500 Ω for current set point / 95 kΩ for voltage set point				-	
Max. power consumption	13 W	12 W	13 W	12 W	13 W	12 W
Input heating resistor	10 W					
Starting current	6 A	2,5 A	6 A	2,5 A	6 A	2,5 A
Actuating power	800 N					
Protection class (EN 60529)	IP 65: Dustproof, protection against water jets from any angle					
Adm. Ambient temperature	-10 °C to +60 °C					
Duty cycle	Storage of motor and total operating time, temperature and directional classes, etc.					

*: for control with volt-signal split range adjustments are possible

**:: Minimum on-time 200 ms

actuator with fail safe position (option)

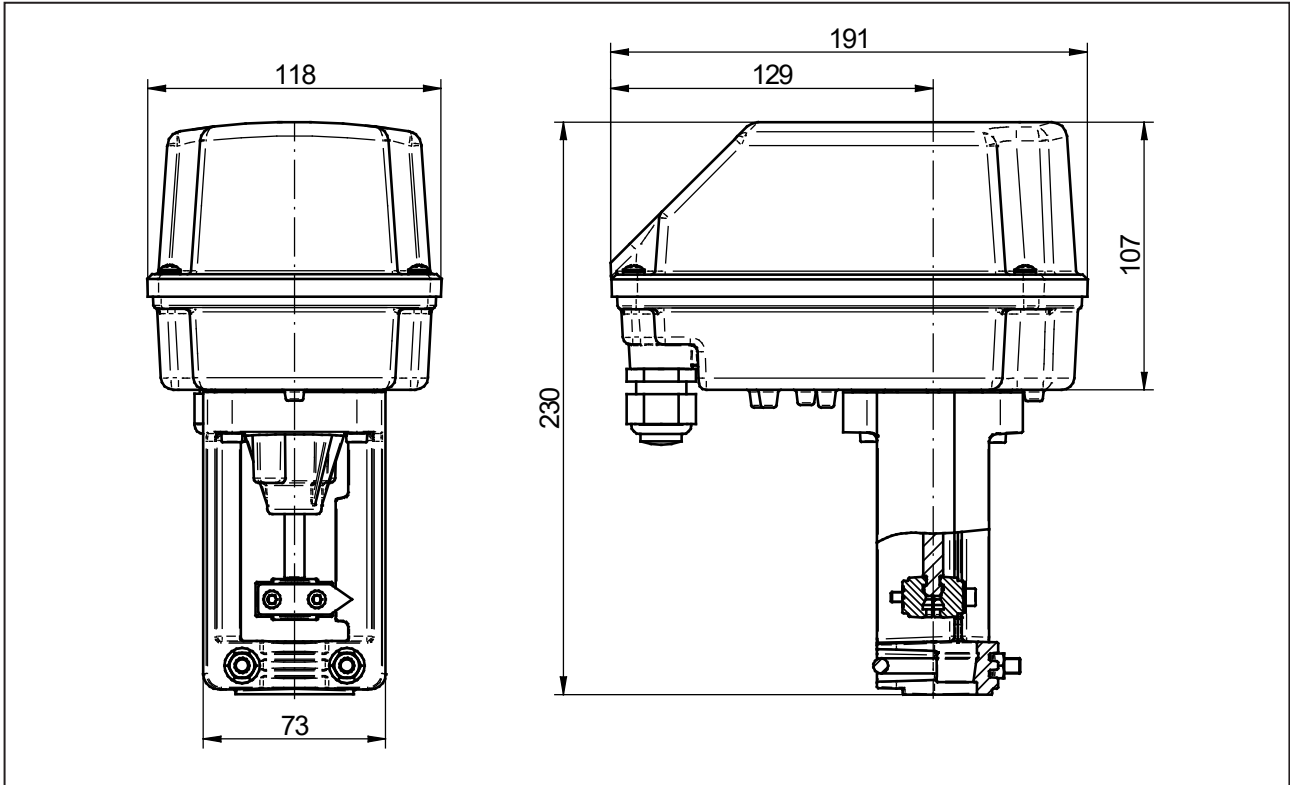
- Safety function at power failure
- Energy supply via power capacitors
- Safety position selectable open, closed or in any valve position
- Automatic monitoring of the state of charge of the capacitors

Ordering number-system

		article number:									
		2032/									...
Version											
e.g. 010 = Version 1.0	xxx										
Item											
Actuator complete	A										
Model											
0.8 kN-driving force without control electronics (3-point control)	A										
0.8 kN driving force with control electronics	C										
Supply voltage											
100-240 V, 50/60 Hz	0										
24 V AC/DC	1										
Mounting kit											
without mounting kit									0		
Including mounting kit (console) and standard coupling									1		
Fail safe position											
without fail save position									-		
Safety position closed if power fails (valve stem travels out of actuator)									1		
Safety position open if power fails (valve stem travels in to actuator)									2		
Communication											
Standard									-		
Bluetooth auxiliary module									B		
Control signal											
standard, for actuators with position electronics 4-20 mA (4 mA closed, 20 mA open)									-		
0-10 V (0 V closed, 10 V open)									3		
2-10 V (2 V closed, 10 V open)									4		
inverted function, 4-20 mA or 2-10 V, 20 mA (10 V) closed, 4 mA (2 V) open									5		
Control signal adjustment split range -adjustment according to specifications of the customer									8		
Limit switch											
without									-		
Two stroke-dependent limit switches with actuator without control electronics									2		
Stroking speed											
Standard									-		
Adjustments											
Standard									-		
Accessories											
without									-		
heating resistor										H	

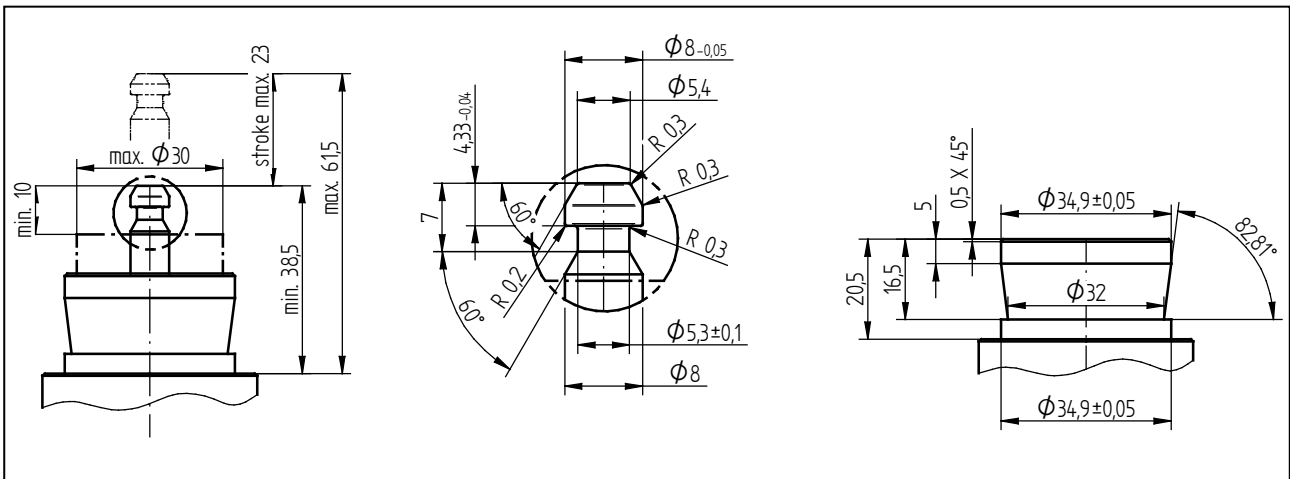
ordering example: 2032/010AC0-1-B
 Compact motor actuator, version 1.0, actuator 0.8 kN, supply voltage 100-240 V
 50/60 Hz, without fail save position, with Bluetooth auxiliary module, control signal
 standard: 4-20 mA

dimensions and weight



weight = 2 kg

dimensions for mounting on a valve



dimensions in mm